



**KXR600**

Dimensions (mm)	External	Internal
Height	2000	1390
Width	680	560
Depth	840	680
Capacity (ltr)		
Gross		600
Net		395



**KXR1200**

Dimensions (mm)	External	Internal
Height	2000	1390
Width	1340	1220
Depth	840	680
Capacity (ltr)		
Gross		1200
Net		791



**KXF600**

Dimensions (mm)	External	Internal
Height	2000	1390
Width	680	560
Depth	840	680
Capacity (ltr)		
Gross		600
Net		395



**KXF1200**

Dimensions (mm)	External	Internal
Height	2000	1390
Width	1340	1220
Depth	840	680
Capacity (ltr)		
Gross		1200
Net		791

## Features

- 201 stainless steel exterior & interior
- Internal corners rounded to aid cleaning
- 3 adjustable GN2/1 shelves per door, shelf size 535 x 650 mm
- LED lighting
- Lock fitted as standard
- Heavy duty castors as standard
- Suitable for fresh meat storage
- Self closing door(s) with dwell position

## Additional Extras

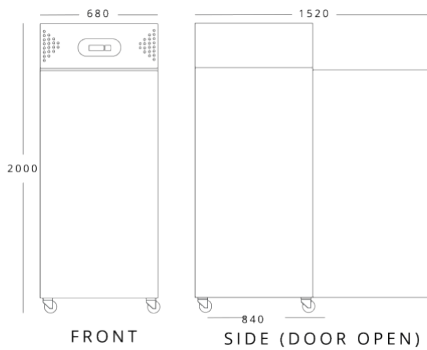
- K8-SHELF02 - 2/1 GN Shelf GN
- K8-GUIDE01 - Guides for Shelf (pair)
- K8-GASKET03 - Door Gasket



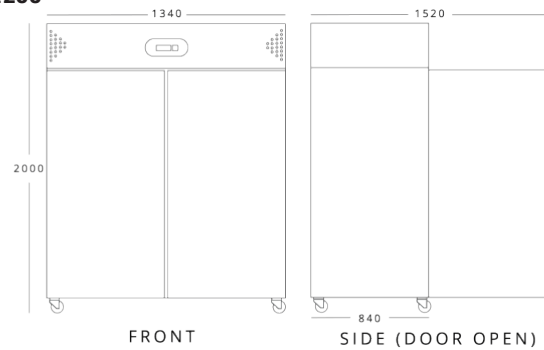
## Technical Specification

	KXR600	KXR1200	KXF600	KXF1200
Temperature Range	-2°~+8°	-2°~+8°	-18°~+22°	-18°~+22°
Climate Class	4	4	4	4
Power Supply	13amp	13amp	13amp	13amp
Cooling	Ventilated	Ventilated	Ventilated	Ventilated
Defrost	Automatic	Automatic	Automatic	Automatic
Noise Level	60	60	60	60
Refrigerant	R290	R290	R290	R290
Energy Efficiency Class	D	D	E	E
Energy Consumption (kw/24hrs)	2.233	3.786	7.742	11.826
Power Usage (w)	195	380	450	700
Weight (kg)	125	213	132	221

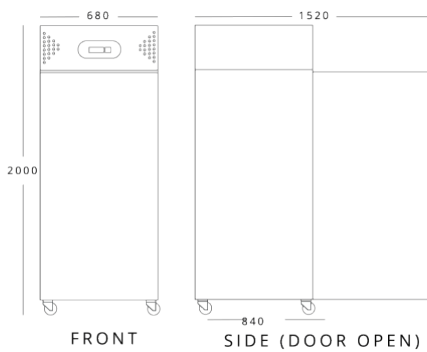
### KXR600



### KXR1200



### KXF600



### KXF1200

