

Please check the information on your rating plate to indicate which model machine you have:

For models WFP14K

[Click here](#)

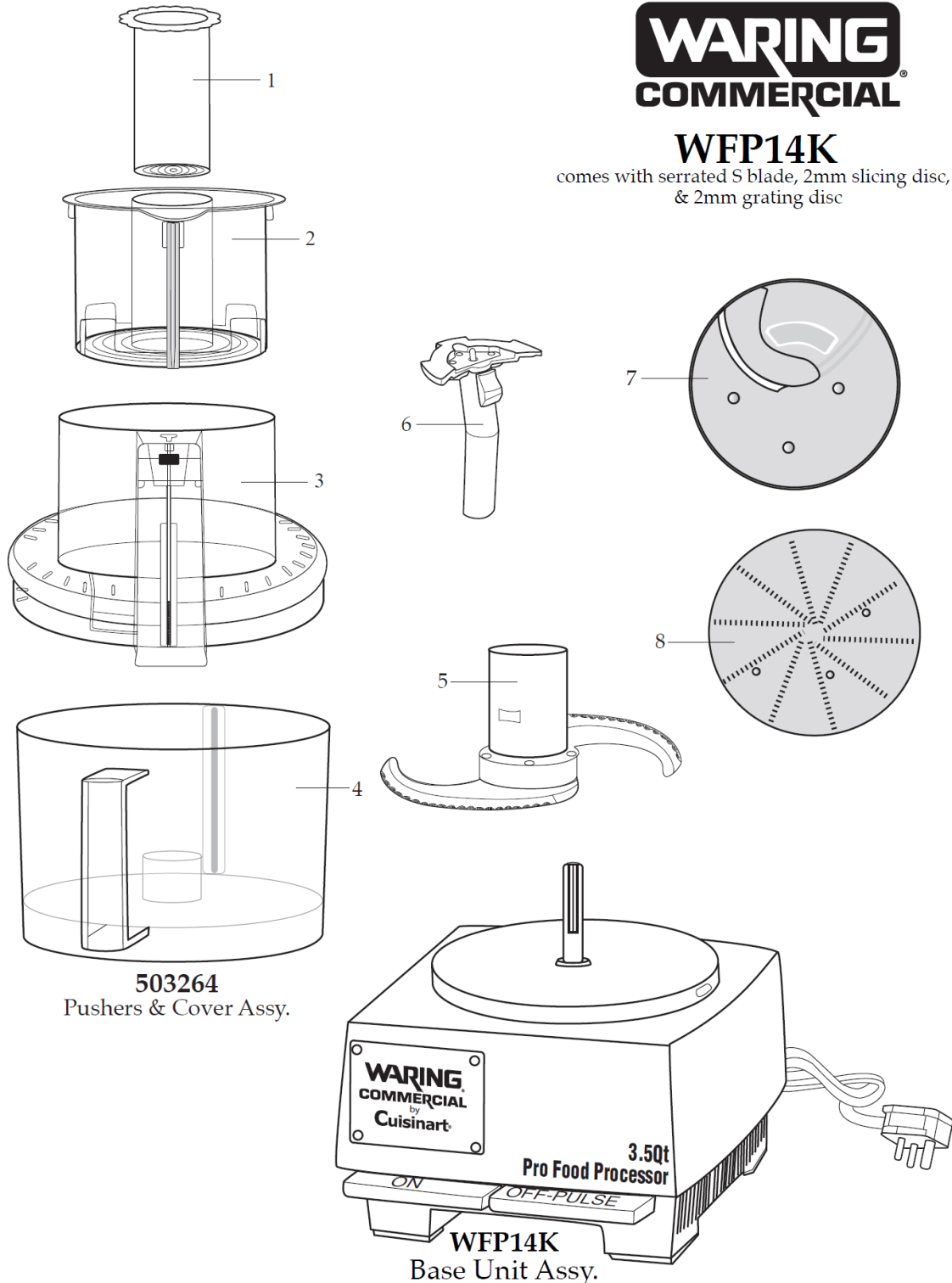
For models WFP14SK

[Click here](#)



WFP14K

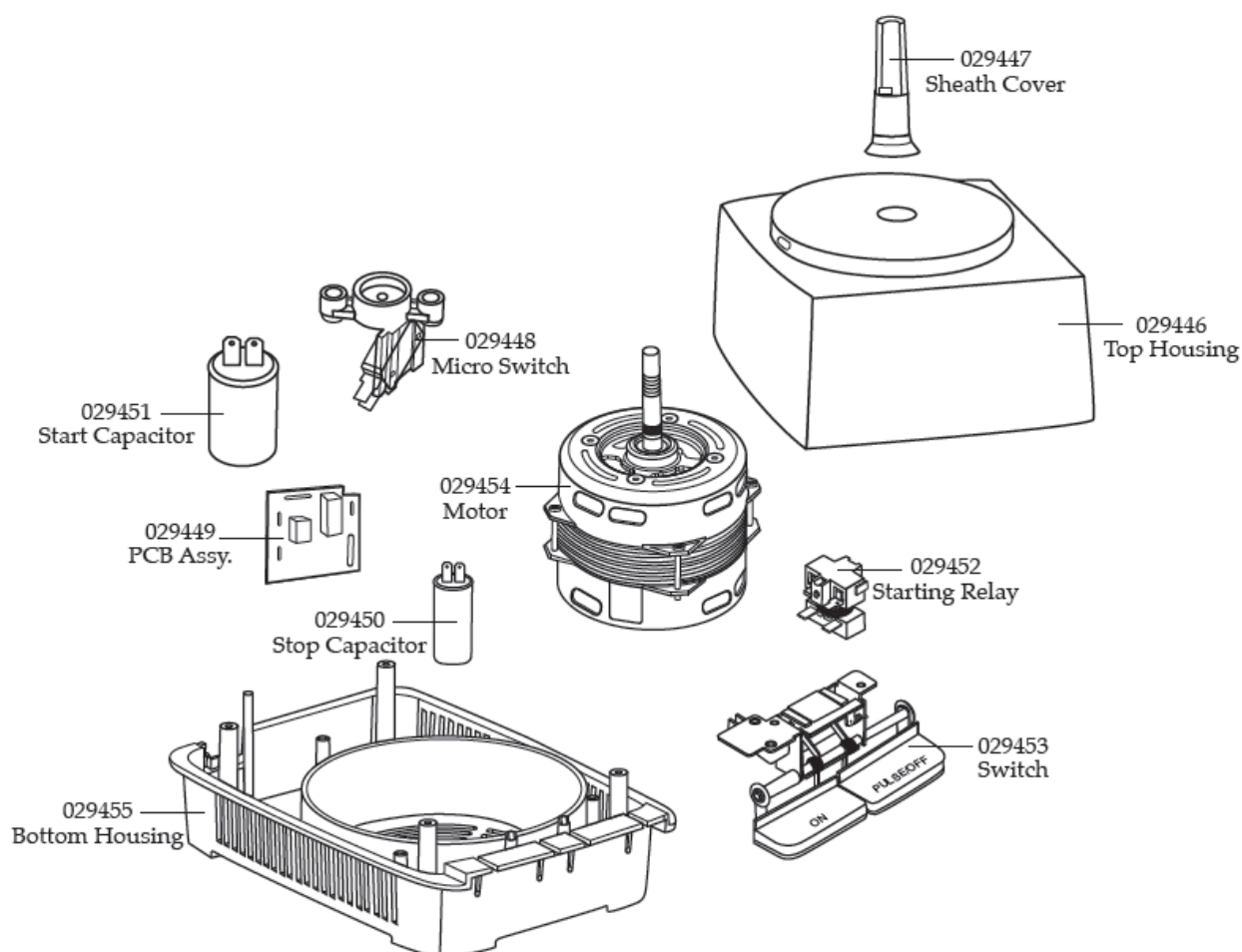
comes with serrated S blade, 2mm slicing disc,
& 2mm grating disc



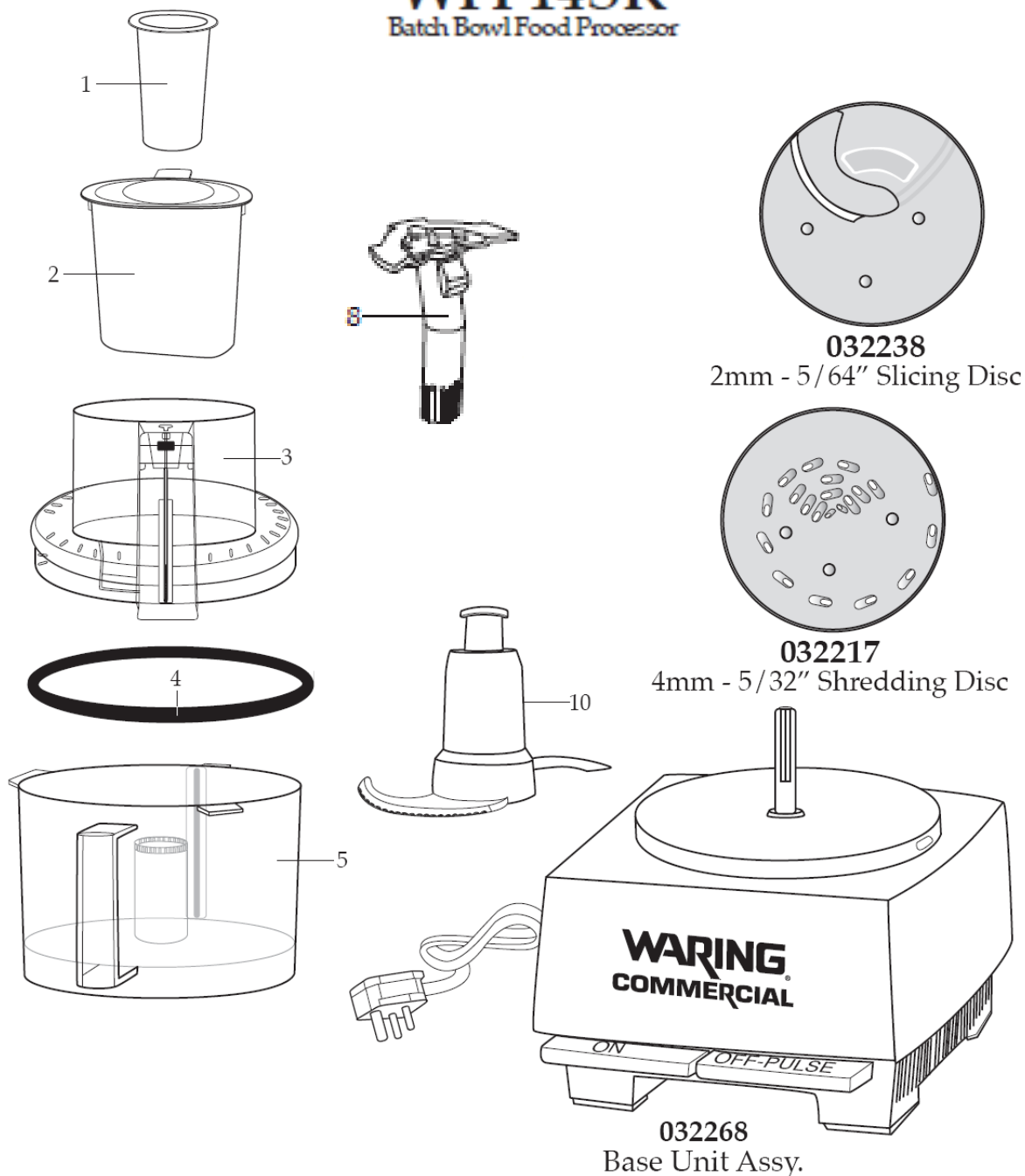
503264
Pushers & Cover Assy.





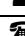



WFP14K
Base Unit Assy.

Machine	Explode	Code	Description
Waring Food Processor WFP14K	1	AE984	Small Pusher
Waring Food Processor WFP14K	2	AE985	Large Pusher
Waring Food Processor WFP14K	3	AC662	Bowl Cover
Waring Food Processor WFP14K	4	AC665	Bowl
Waring Food Processor WFP14K	5	AC666	Serrated S Blade
Waring Food Processor WFP14K	6	AC664	Disc Stem
Waring Food Processor WFP14K	7	AD789	2mm - 5/64" Thin Slicing Disc
Waring Food Processor WFP14K	8	AC669	2mm - 5/64" Fine Grating Disc
Waring Food Processor WFP14K	503264		Pusher & Cover Assy
Waring Food Processor WFP14K	WFP14K		Base Unit Assy
Waring Food Processor WFP14K	029448		Micro Switch
Waring Food Processor WFP14K	029451	AD362	Start Capacitor
Waring Food Processor WFP14K	029449	AD363	PCB Assy
Waring Food Processor WFP14K	029450		Stop Capacitor
Waring Food Processor WFP14K	029455		Bottom Housing
Waring Food Processor WFP14K	029454	AD361	Motor
Waring Food Processor WFP14K	029447		Sheath Cover
Waring Food Processor WFP14K	029446		Top Housing
Waring Food Processor WFP14K	029452		Start Relay
Waring Food Processor WFP14K	029453		Switch



WARING
COMMERCIAL
WFP14SK
Batch Bowl Food Processor



Machine	Explode	Code	Description
Waring Food Processor WFP14SK	1	AE050	Small Pusher
Waring Food Processor WFP14SK	2	AE051	Large Pusher
Waring Food Processor WFP14SK	3	AE052	Bowl Cover
Waring Food Processor WFP14SK	4	AE053	Cover Seal
Waring Food Processor WFP14SK	5	AE054	Bowl
Waring Food Processor WFP14SK	8	AE057	Disc Stem
Waring Food Processor WFP14SK	10	AE059	Serrated S Blade
Waring Food Processor WFP14SK	032268		Base Unit Assy
Waring Food Processor WFP14SK	032238	AD789	2mm-5/64 " Slicing Disc
Waring Food Processor WFP14SK	032217	AC667	4mm-5/32" Shredding Disc
Waring Food Processor WFP14SK	029451	AD362	Start Capacitor
Waring Food Processor WFP14SK	503370		PCB Assy
Waring Food Processor WFP14SK	029450		Stop Capacitor
Waring Food Processor WFP14SK	030191		Bottom Housing (Black)
Waring Food Processor WFP14SK	030194		Switch
Waring Food Processor WFP14SK	029452		Starting Relay
Waring Food Processor WFP14SK	030182		Micro Switch Seal
Waring Food Processor WFP14SK	029448		Micro Switch

