



Specifications.

Number of pizzas 30 cm.	4
Productivity per hour.	60
Consumption of firewood per hour /kg./	3-4
Weight / kg /.	1100

Model	D100C
Fuel type	WOOD-BURNING OVEN
Type	Static

WOOD-BURNING OVENS FOR PIZZAS **(Series D)**

The ovens of series D are of domical type and are assigned for baking of pizzas. They are made of vibrated refractical material with high percent of two-aluminum-three-oxide (Al_2O_3), which guarantees high wearing out resistance and sturdiness. The domical form of the baking chamber guarantees an even baking at low wood consumption. Insulation materials with low coefficient of heat conductivity have been used. The considerable thickness of insulation helps to achieve maximum economy. All elements of the oven are placed in a case which allows its mobility.

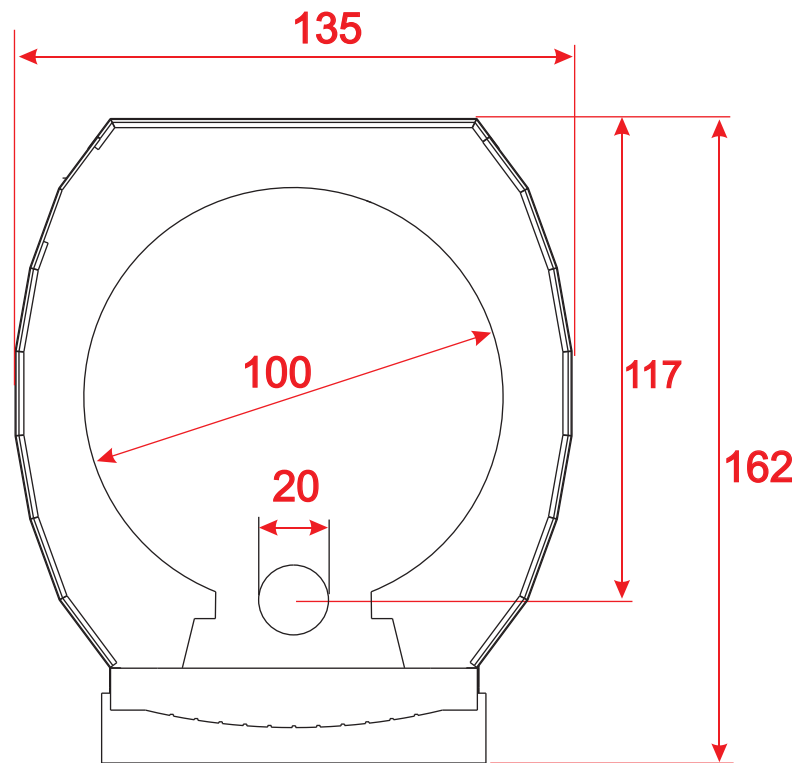
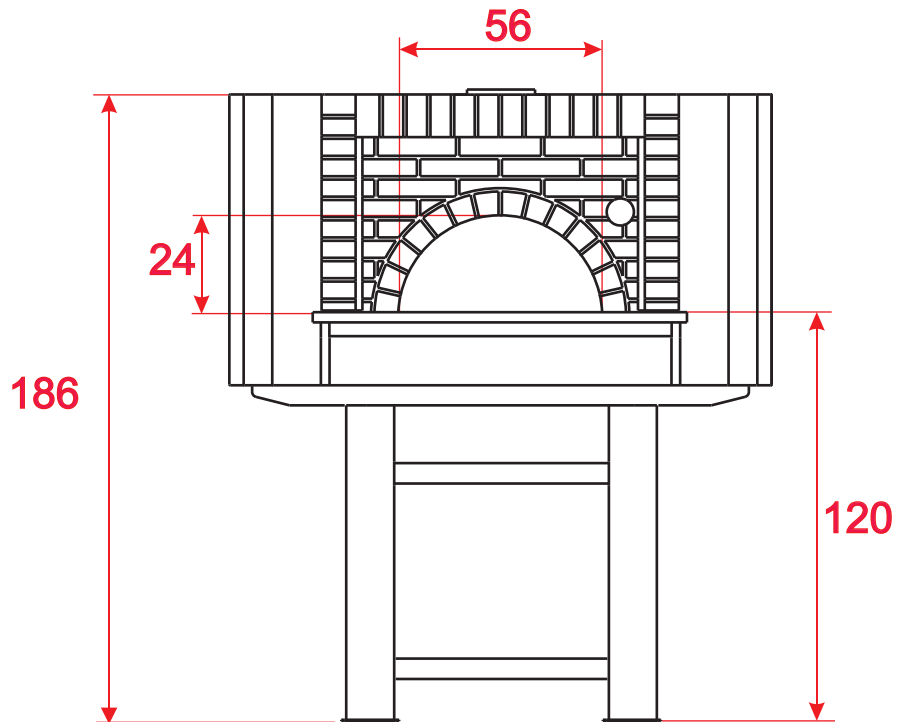


We are a company, specializing in the manufacture of professional ovens for pizzerias.

AS TERM L.T.D.
Tzar Ivan Asen 144
4230 Asenovgrad
Bulgaria

tel/fax +359 331 462 42
as_term@abv.bg
www.astermforni.com

Dimensions



***Dimensions are cm.



We are a company, specializing in the manufacture of professional ovens for pizzerias.

AS TERM L.T.D.
Tzar Ivan Asen 144
4230 Asenovgrad
Bulgaria

tel/fax +359 331 462 42
as_term@abv.bg
www.astermforni.com