

CATER-WASH

Stainless Steel Kitchen Sink - Assembly Instructions

Models: CK0565



Caterkwik Ltd

The Lakeland Catering Centre

Newlands

Ulverston

Cumbria

LA12 7QQ

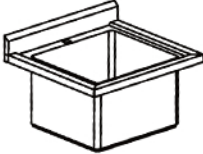
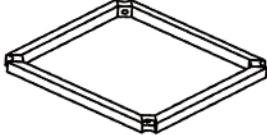
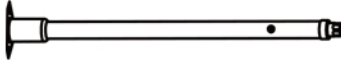





01229 480001

info@caterkwik.co.uk





Parts List

Part	QTY	Reference Image	Ref
Sink basin	1		A
Cross frame	1		B
Legs	4		C
Leg bolts	12		D
Frame bolts	4		E
Washers	16		F
Split washers	16		H
Allen key	1		I

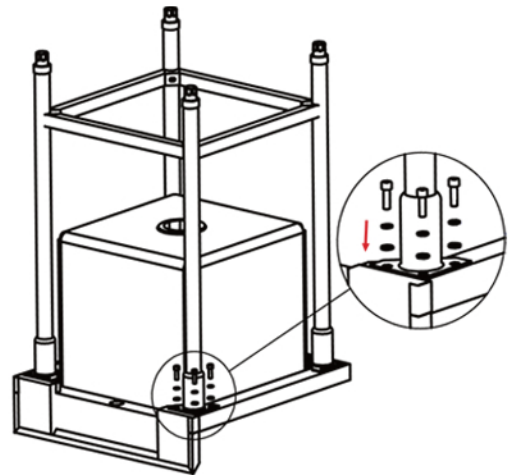


Assembly

Start with the sink basin laying upside down on a stable surface. Attach the legs to the sink basin using the provided leg bolts.

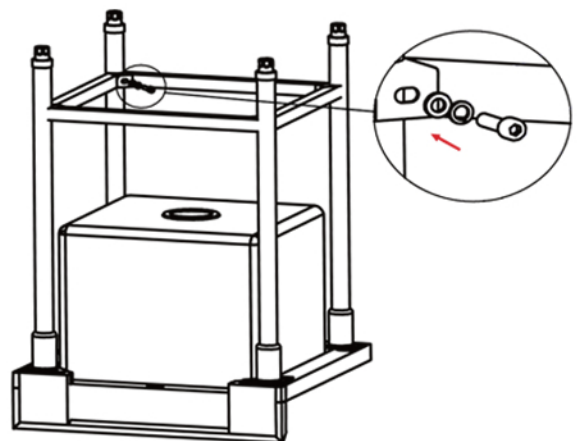
3 bolts are used to secure each leg to the basin, secure them using 1 washer and 1 split washer per bolt. Making sure to install the washer before the split washer.

Ensure they are tightened sufficiently to avoid the sink from wobbling once assembled.



Next, attach the cross frame to the legs by aligning it to the holes within each leg.

For each leg use 1 washer and 1 split washer, making sure to secure the washer first, with the split washer between that and the leg bolt.



The kitchen sink is now fully assembled and ready to install.

If the floor is not level, the feet of the legs can be adjusted by turning them. This can help alleviate any issues with the sink not sitting level when in use.

