

Technical data sheet for

## VEE RAY SINGLE PAN GAS FRYER 450mm

GT45E

- High performance single pan fryer
- Patented infra-red burner system
- Digital display temperature control with 3 product timers
- Easy clean stainless steel open pan with 10 year limited warranty
- 20L oil capacity
- Large capacity cool zone
- 32mm (1 1/4") drain valve
- Rear rollers
- Stainless steel exterior
- Easy service
- Fully modular



GT45E

### Overall Construction

- Stainless steel pan with 10 year limited warranty
- Bull nose welded 1.5mm stainless steel
- Splashback 1.2mm stainless steel
- Side panels 1.2mm stainless steel
- Double skin door with 0.9mm stainless exterior
- 32mm (1 1/4") drain valve
- 63mm dia. heavy-duty 1.2mm stainless steel adjustable legs at front and two rollers at rear
- 2 baskets and stainless steel lid supplied standard

### Controls

- Digital display electronic thermostat
- Thermostat range 88-193°C
- 3 programmable product timers with countdown display and alarms
- Straight or temperature compensating cook time control
- Heating and basket drop displays
- Programmable melt cycles
- Over-temperature safety cut-out
- Flame failure protection on each pilot
- Piezo ignition to standing pilot burners

### Cleaning and Servicing

- Open stainless steel pan for easy clean
- Easy clean basket support bar
- 32mm (1 1/4") drain valve for effective draining
- Easy clean stainless steel exterior
- Access to all parts from front of unit

# Technical data sheet for VEE RAY SINGLE PAN GAS FRYER 450mm

## Specifications

**Production rate**  
31kg/hr

### Pan size

Oil capacity 20L (37lbs shortening)  
Width 365mm  
Length 380mm  
Oil frying depth 95mm

### Baskets

2 chrome plated wire baskets  
140mm W x 335mm D x 145mm H  
Stainless steel perforated basket support plate

### Burners

2 x 12.5kW infra-red burners

### Gas power (gross)

25kW, 85,300 Btu/hr

### Gas connection

R 3/4 (BSP) male  
Optional underside connection  
(refer specification drawing)

### Electrical connection

230-240 Vac, 1P+N+E, 50/60Hz, 0.5A  
3 pin 13A plug cordset fitted

### Dimensions

Width 450mm  
Depth 812mm  
Height 915mm  
Incl. splashback 1085mm

### Nett weight

81kg

### Packing data

0.54m<sup>3</sup>, 122kg  
Width 870mm  
Depth 495mm  
Height 1255mm

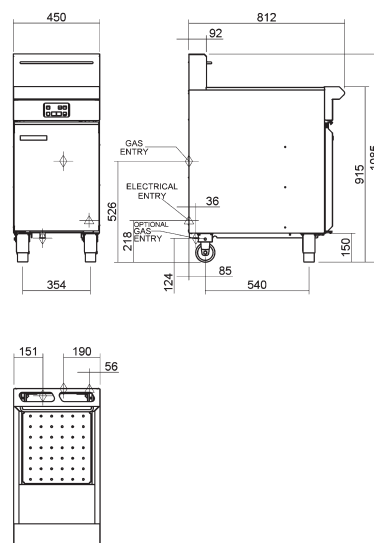
### Gas types

Available in Natural gas and LP gas, please specify when ordering  
Units supplied complete with gas type conversion kits

### Options

Adjustable feet at rear  
Filtamax Filtration System  
Fish plates  
Extra baskets  
Side splash guards  
Joining caps  
Castors

GT45E



**BLUE SEAL**

[www.blue-seal.co.uk](http://www.blue-seal.co.uk)  
[www.bluesealevolution.com](http://www.bluesealevolution.com)

## United Kingdom

### Blue Seal Limited

Unit 67  
Gravelly Business Park  
Gravelly  
Birmingham B24 8TQ  
England

Telephone 0121-327 5575

Facsimile 0121-327 9711

Email [sales@blue-seal.co.uk](mailto:sales@blue-seal.co.uk)

[www.blue-seal.co.uk](http://www.blue-seal.co.uk)

## Australia

### Moffat Pty Limited

740 Springvale Rd  
Mulgrave  
Victoria 3170  
Australia  
Telephone 03-9518 3888  
Facsimile 03-9518 3833  
Email [vsales@moffat.com.au](mailto:vsales@moffat.com.au)  
[www.moffat.com.au](http://www.moffat.com.au)

## New Zealand

### Moffat Limited

16 Osborne St  
PO Box 10-001  
Christchurch 8011  
New Zealand  
Telephone 03-389 1007  
Facsimile 03-389 1276  
Email [sales@moffat.co.nz](mailto:sales@moffat.co.nz)  
[www.moffat.co.nz](http://www.moffat.co.nz)



ISO9001  
Quality  
Management  
Standard

Designed and manufactured by

**MOFFAT**

ISO9001

All Blue Seal products are designed and manufactured by Moffat using the internationally recognised ISO9001 quality management system, covering design, manufacture and final inspection, ensuring consistent high quality at all times.



In line with policy to continually develop and improve its products, Moffat Limited reserves the right to change specifications and design without notice.