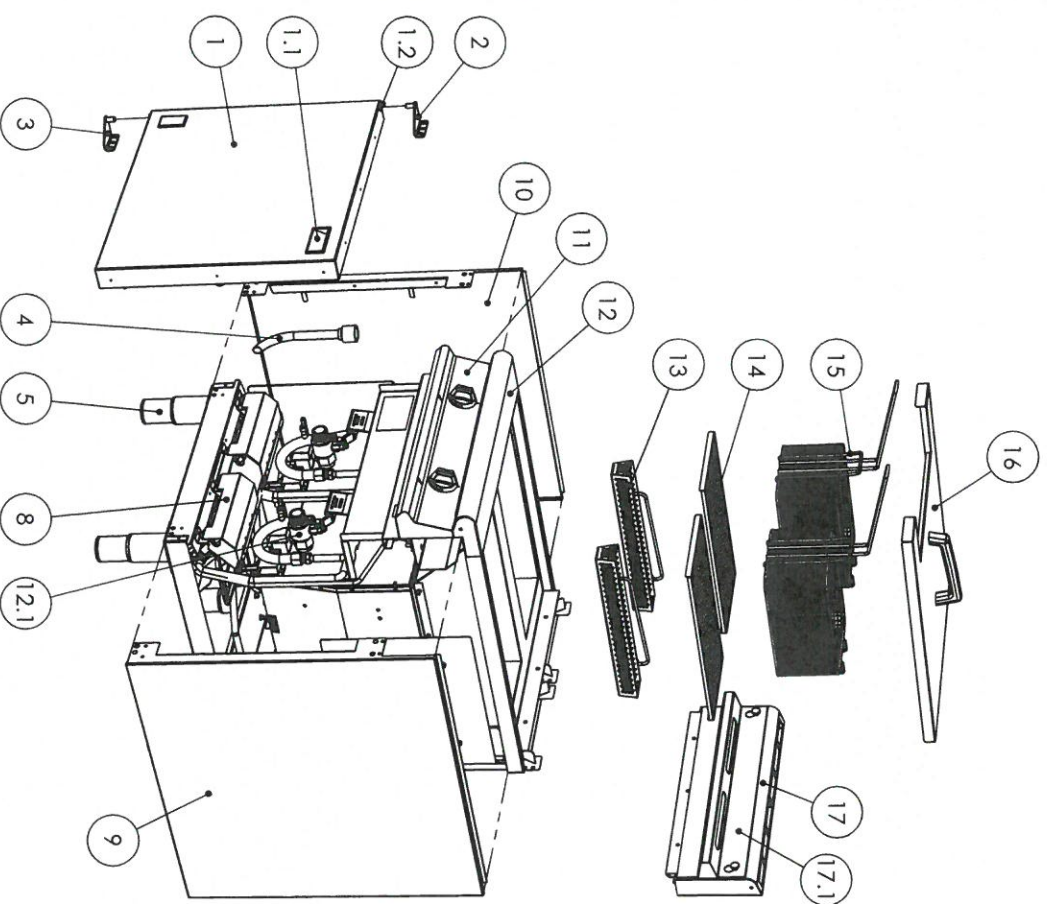


# DOMINATOR PLUS

ITEM	DESCRIPTION	SPARES NO
1	DOOR ASSEMBLY	535680002
1.1	DOOR HANDLE	736010020
1.2	DOOR HINGE BUSH (x2)	536060036
2	DOOR HINGE - TOP	535200006
3	DOOR HINGE - BOTTOM	535200007
4	DRAIN TUBE ASSEMBLY	535710015
5	ADJUSTABLE FOOT	535290028
6	CASTOR - BRAKED (x2) - NOT SHOWN	536430110
7	CASTOR - FIXED (x2) - NOT SHOWN	536470013
8	GAS VALVE COVER C/W HINGES	535670003
9	OUTER SIDE PANEL - RH	535670004
10	OUTER SIDE PANEL - LH	535670005
11	CONTROL PANEL	535690002
12	HOB/PAN ASSEMBLY C/W INSULATION & DRAIN VALVE	535690003
12.1	DRAIN VALVE ASSEMBLY	535670008
13	PAN STRAINER	535670009
14	FISH PLATE	535710022
15	BASKET	531302010
16	DUST COVER	535680006
17	FLUE ASSEMBLY	535690004
17.1	BASKET HANGER	535680008



Issue

Alteration

Date

Product

Document Reference

A

Initial Issue

09/08/11

G3865

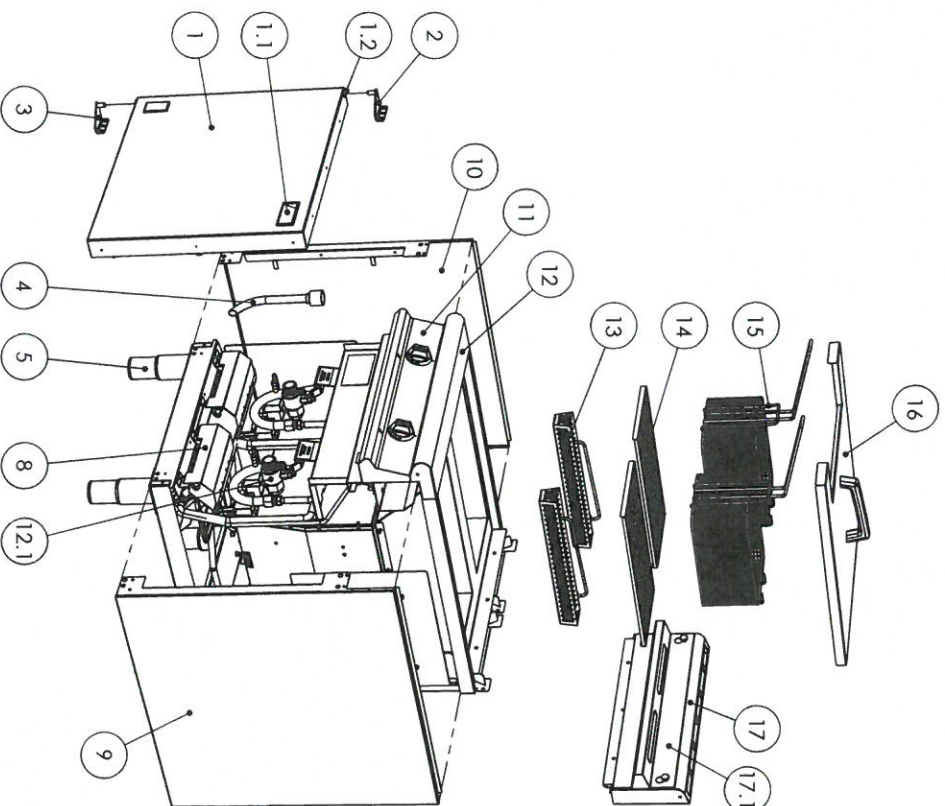
AD48881

Falcon



# DOMINATOR PLUS

ITEM	DESCRIPTION	SPARES NO
1	DOOR ASSEMBLY	535680002
1.1	DOOR HANDLE	736010020
1.2	DOOR HINGE BUSH (x2)	536060036
2	DOOR HINGE - TOP	535200006
3	DOOR HINGE - BOTTOM	535200007
4	DRAIN TUBE ASSEMBLY	535710015
5	ADJUSTABLE FOOT	535290028
6	CASTOR - BRAKED (x2) - NOT SHOWN	536430110
7	CASTOR - FIXED (x2) - NOT SHOWN	536470013
8	GAS VALVE COVER C/W HINGES	535670003
9	OUTER SIDE PANEL - RH	535670004
10	OUTER SIDE PANEL - LH	535670005
11	CONTROL PANEL	535690002
12	HOB/PAN ASSEMBLY C/W INSULATION & DRAIN VALVE	535690003
12.1	DRAIN VALVE ASSEMBLY	535670008
13	PAN STRAINER	535670009
14	FISH PLATE	535710022
15	BASKET	531302010
16	DUST COVER	535680006
17	FLUE ASSEMBLY	535690004
17.1	BASKET HANGER	535680008

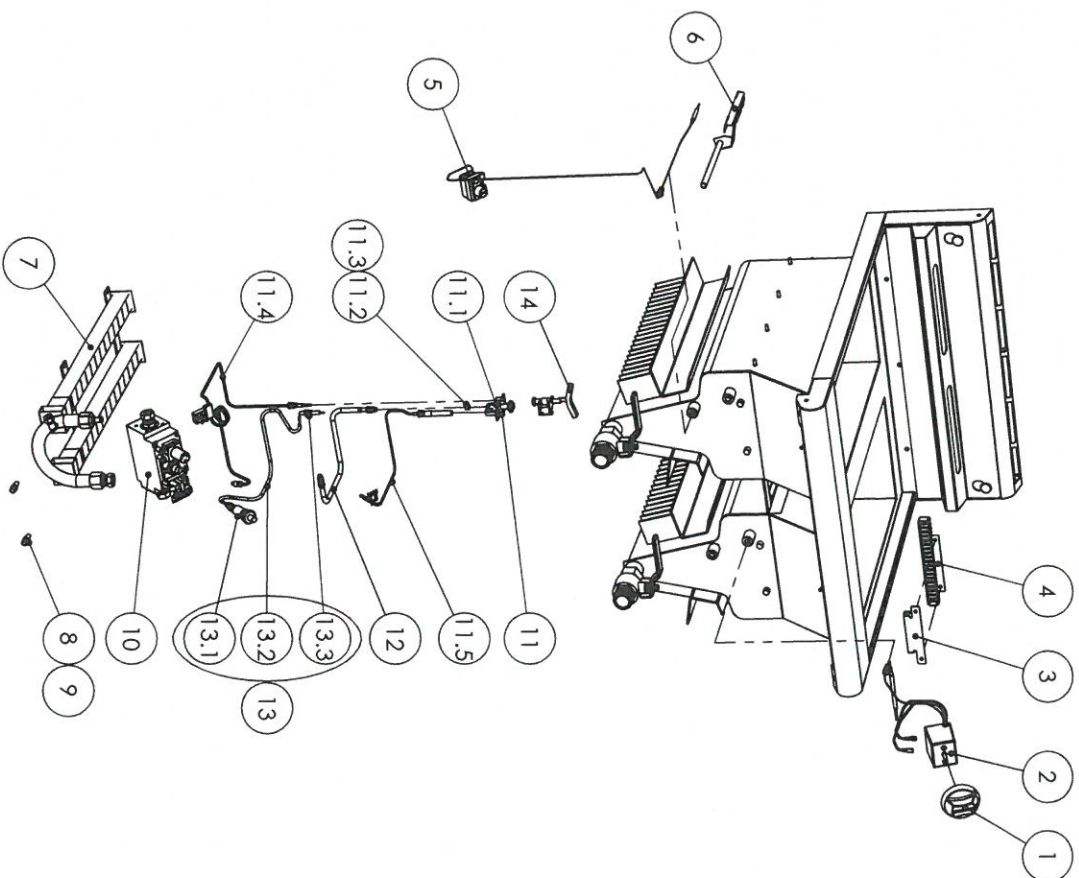


Issue	Alteration	Date	Product	Document Reference
B	Modification	24/06/14	G3865	AD48881

# DOMINATOR PLUS

ITEM	DESCRIPTION	SPARES NO
1	CONTROL KNOB	535670013
2	OPERATING THERMOSTAT	535670014
3	OPERATING STAT PHIAL MOUNT BRACKET	5356670015
4	OPERATING STAT PHIAL COVER	5356670016
5	SAFETY THERMOSTAT	5356670017
6	SAFETY STAT PHIAL MOUNT BRACKET	5356670018
7	BURNER ASSEMBLY (NO INJECTORS)	5356670019
8	BURNER INJECTORS (x2) - NAT GAS	5356670020
9	BURNER INJECTORS (x2) - PROPANE	5356670021
10	GAS CONTROL VALVE C/W FITTINGS - NAT & PROPANE	5356670022
11	PILOT ASSEMBLY - NAT & PROPANE	5356670023
	3 FLAME PILOT	530760007
	PILOT INJECTOR - NAT GAS	537350013
	PILOT INJECTOR - PROPANE	537350014
	THERMOCOUPLE	535670024
	THERMOPILE	537350005
12	PILOT PIPE C/W FITTINGS	5356670025
13	SPARK IGNITOR ASSEMBLY	5356670026
	SPARK IGNITOR	537350029
	SPARK IGNITOR CABLE	535710115
	SPARK ELECTRODE	537350007
14	CROSS LIGHTER ASSEMBLY - NAT & PROPANE	5356670027
	CROSS LIGHTER INJECTOR - NAT GAS	535710091
	CROSS LIGHTER INJECTOR - PROPANE	531300070

**CONTROLS ARE THE SAME FOR BOTH SIDES OF APPLIANCE**



Issue

Alteration

Date

Product

Document Reference

A

Initial Issue

09/08/11

G3865

AD48882

Falcon

