

TECHNICAL DATA SHEET FOR Gas Cooktop / Griddle 600mm C6D, C6C



C6D

- 600mm wide
- Stainless steel finish
- 5.5kW (18,800Btu/hr) open burners
- Cast iron burners and vitreous enamel pot stands
- 2 or 4 open burner configuration
- Griddle option – 300mm machine finished 12mm thickness, with piezo ignition
- Open cabinet base for extra storage
- Adjustable front feet and rear rollers
- Fully modular
- Flame failure protection on open burners

Overall Construction

Cast iron open burner heads with vitreous enamelled cast iron caps
Vitreous enamelled potstands
12mm machined surface mild steel griddle plate
Stainless steel front, sides and splashback
Stainless steel cabinet interior base
Aluminised steel spill tray
Griddle sections are standard on RH side only.
50mm dia. stainless steel adjustable legs to front and two rollers at rear

Controls

Large easy use control knobs
Variable high to low controls to open and griddle burners
Flame failure on open burners
Griddles standard with pilot, flame failure and piezo ignition

Cleaning and Servicing

Easy clean stainless steel exterior
Vitreous enamelled potstands and burner caps
Lift off open burner caps and removable burners
Removable spill trays
Stainless steel grease trays on griddles
Access to all parts from front of unit

TECHNICAL DATA SHEET FOR Gas Cooktop / Griddle 600mm C6D, C6C

Burners

Open Burners;
Natural Gas
5.5kW, 18,800Btu/hr each
LP gas

5.0kW, 17,075Btu/hr each
Griddle Burners;
5.5kW, 18,800Btu/hr
per 300mm section

Gas power (gross)

Natural Gas
C6D 22kW, 75,130Btu/hr
C6C 16.5kW, 56,350Btu/hr
LP gas
C6D 20kW, 68,300Btu/hr
C6C 15.5kW, 52,935Btu/hr

Gas connection

R³/₄ (BSP) male
130mm from RH side, 20mm from
rear, and 655mm from floor

*All units supplied with Natural and
LP gas regulator*

Dimensions

Width 600mm
Depth 800mm
Height 915mm
Incl. splashback 1085mm

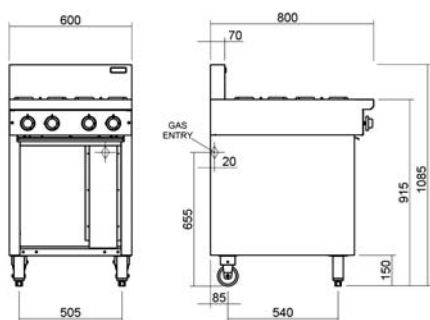
Packing data

0.70m³
Width 640mm
Depth 865mm
Height 1255mm
72kg nett weight
122kg packed weight

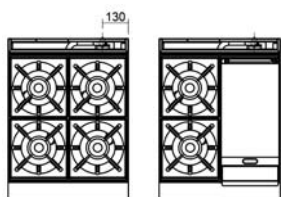
Gas types

Available in Natural gas and LP gas,
please specify when ordering

Other gas types on request



C6



C6D

C6C



www.blue-seal.co.uk

United Kingdom
Blue Seal Limited

Unit 67
Gravelly Business Park
Gravelly
Birmingham B24 8TQ
England
Ph 0121-327 5575
Fax 0121-327 9711
sales@blue-seal.co.uk
www.blue-seal.co.uk

Australia
Moffat Pty Limited

740 Springvale Road
Mulgrave
Victoria 3170
Australia
Ph 03-9518 3888
Fax 03-9518 3833
vsales@moffat.com.au
www.moffat.com.au

New Zealand
Moffat Limited

16 Osborne Street
PO Box 10-001
Christchurch 8011
Ph 03-389 1007
Fax 03-389 1276
sales@moffat.co.nz
www.moffat.co.nz



Designed and manufactured by



ISO9001

All Cobra products are designed and
manufactured by Moffat using the
internationally recognised ISO9001
quality management system, covering
design, manufacture and final
inspection, ensuring consistent high
quality at all times.



In line with policy to continually develop
and improve its products, Moffat Limited
reserves the right to change
specifications and design without notice.