



OG8009/N - Opus 800
Natural Gas Counter-top
Boiling Top - W 300 mm -
15.0 kW

Perfect for large pubs and restaurants, school canteens, care homes and hospitals, the Opus 800 Gas 2 x Boiling Top come with individual heavy-duty single cast iron supports, which are built to withstand the rigours of the busiest kitchen.

- ✓ Powerful 7.5kW dual concentric Burners for focused heat distribution from a fast boil to a low simmer
- ✓ Individual heavy-duty single cast iron supports, built to withstand the rigours of the busiest kitchen
- ✓ Low flue to allow use of the complete hob top
- ✓ Gas Boiling Tops

Specifications

Summary

Range Name	Opus 800
Power Type	Gas
Gas Type	Natural Gas
Unit Type	Counter-top
Available in UK Only	No
UK Warranty	2 Years Parts and Labour Warranty
Export Warranty	Contact your local dealer
GTIN Code	5056105102359

Power and Performance

BTU per Hour	51,180
Total Power kW	15.0
Temperature Control	Mechanical
Rating per Hob kW	7.5

Key Specifications

Number of Hobs	2
-----------------------	---

Weights and Dimensions

Unit Height (External) mm	412
Unit Width (External) mm	300
Unit Depth (External) mm	800
Net Weight Kg	31

Supply Connections

Requires Installation	Yes
Requires Electrical Supply	No
Gas Connection BSP	1/2"
Gas Consumption at full rate Natural m³ per Hour	1.35
Gas Pressure Natural mbar	20.0
Total heat input at full rate Natural kW	15.0
Total heat input at full rate Natural BTU per hour	51,182

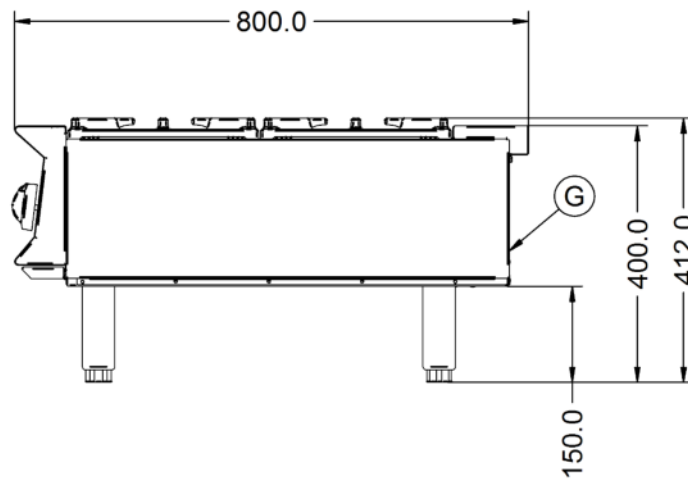
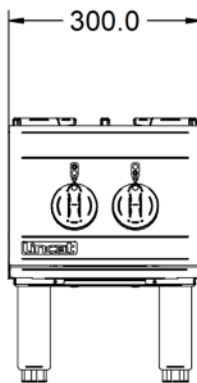
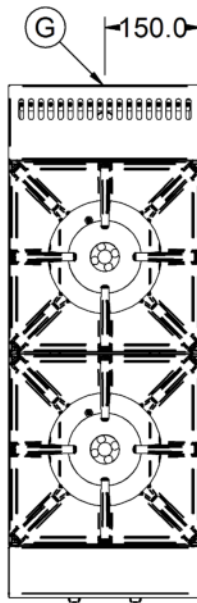
Shipping

Packed Weight Kg	40
Packed Height cm	64
Packed Width cm	85
Packed Depth cm	45

Available Accessories

CH01	CATERFLEX HOSE 1/2" 1 METRE
CH02	CATERFLEX HOSE 1/2" 1.5 METRE
OA8934	Opus 800 Free-standing Floor Stand with Legs - for units W 300 mm
OA8970	Opus 800 Free-standing Pedestal with Doors and Legs - for units W 300 mm

Technical Picture



Lincat Limited

Whisby Road,
Lincoln, LN6 3QZ,
United Kingdom

Company No: 2175448

A member company of



Customer Care

Tel: +44 1522 875500
Email: care@lincat.co.uk

Export Customers

Tel: +44 1522 503250
Email: export@lincat.co.uk

Opening Hours

Monday – Friday:
8.30am – 5pm