



**OG8004/P - Opus 800
Propane Gas Counter-top
Boiling Top - W 900 mm -
40.8 kW**

Perfect for large pubs and restaurants, school canteens, care homes and hospitals, the Opus 800 Gas 6 x Boiling Top comes with individual heavy-duty single cast iron supports, which are built to withstand the rigours of the busiest kitchen.

- ✓ Powerful 7.5kW dual concentric Burners for focused heat distribution from a fast boil to a low simmer
- ✓ Individual heavy-duty single cast iron supports, built to withstand the rigours of the busiest kitchen
- ✓ Low flue to allow use of the complete hob top
- ✓ Gas Boiling Tops

Specifications

Summary

| | |
|-----------------------------|-----------------------------------|
| Range Name | Opus 800 |
| Power Type | Gas |
| Gas Type | Propane Gas |
| Unit Type | Counter-top |
| Available in UK Only | No |
| UK Warranty | 2 Years Parts and Labour Warranty |
| Export Warranty | Contact your local dealer |
| GTIN Code | 5056105102274 |

Power and Performance

| | |
|----------------------------|------------|
| BTU per Hour | 139,210 |
| Total Power kW | 40.8 |
| Temperature Control | Mechanical |
| Rating per Hob kW | 6.8 |

Key Specifications

| | |
|-----------------------|---|
| Number of Hobs | 6 |
|-----------------------|---|

Weights and Dimensions

| | |
|----------------------------------|-----|
| Unit Height (External) mm | 412 |
| Unit Width (External) mm | 900 |
| Unit Depth (External) mm | 800 |
| Net Weight Kg | 75 |

Supply Connections

| | |
|--|---------|
| Requires Installation | Yes |
| Requires Electrical Supply | No |
| Gas Connection BSP | 3/4" |
| Gas Consumption at full rate Propane m³ per Hour | 2.92 |
| Gas Pressure Propane mbar | 37.0 |
| Total heat input at full rate Propane kW | 40.2 |
| Total heat input at full rate Propane BTU per hour | 137,168 |

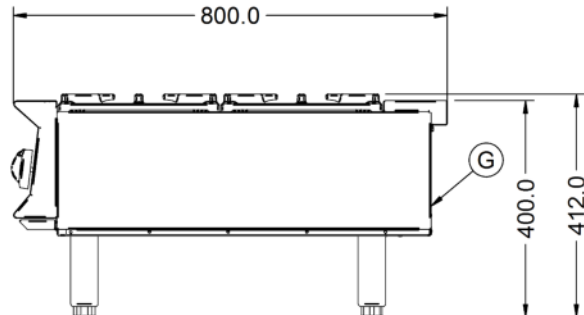
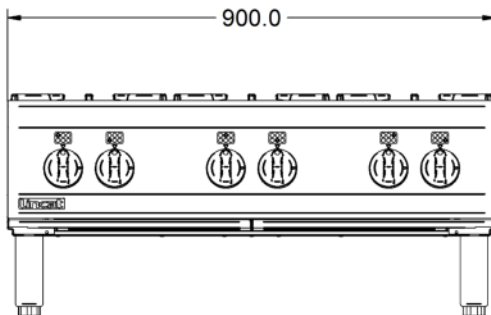
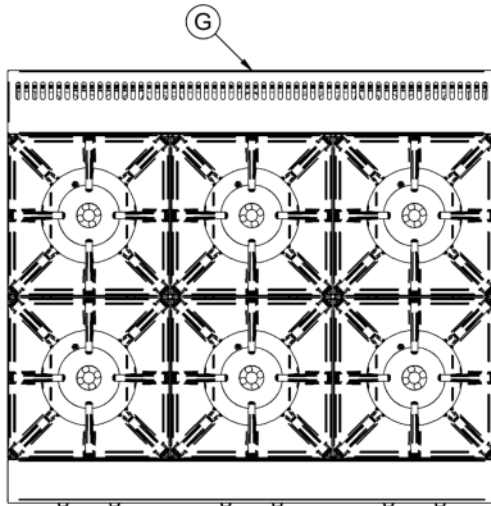
Shipping

| | |
|-------------------------|----|
| Packed Weight Kg | 89 |
| Packed Height cm | 64 |
| Packed Width cm | 70 |
| Packed Depth cm | 85 |

Available Accessories

| | |
|-----------------|---|
| CH01 | CATERFLEX HOSE 1/2" 1 METRE |
| CH02 | CATERFLEX HOSE 1/2" 1.5 METRE |
| OA8914 | Opus 800 Free-standing Floor Stand with Legs - for units W 900 mm |
| OA8914/C | Opus 800 Free-standing Floor Stand with Castors - for units W 900 mm |
| OA8973 | Opus 800 Free-standing Pedestal with Doors and Legs - for units W 900 mm |
| OA8973/C | Opus 800 Free-standing Pedestal with Doors and Castors - for units W 900 mm |

Technical Picture



Lincat Limited

Whisby Road,
Lincoln, LN6 3QZ,
United Kingdom

Company No: 2175448

A member company of



Customer Care

Tel: +44 1522 875500
Email: care@lincat.co.uk

Export Customers

Tel: +44 1522 503250
Email: export@lincat.co.uk

Opening Hours

Monday – Friday:
8.30am – 5pm