



## OE8206 - Opus 800 Electric Counter-top Griddle - W 900 mm - 12.0 kW

Cooking a Full English Breakfast has never been easier than it is with the Opus 800 Electric Griddle, which utilises a maximised cooking area.

- ✔ Maximised cooking area, griddle plates sit flush to the sides of the unit
- ✔ Two separately controlled heat zones give you the option of operating either zone independently to provide a smaller cooking area during quiet periods as well as offering versatility when cooking two separate meals simultaneously

### Specifications

#### Summary

<b>Range Name</b>	Opus 800
<b>Power Type</b>	Electric
<b>Unit Type</b>	Counter-top
<b>Available in UK Only</b>	No
<b>UK Warranty</b>	2 Years Parts and Labour Warranty
<b>Export Warranty</b>	Contact your local dealer
<b>GTIN Code</b>	5056105102533

#### Power and Performance

<b>Total Power kW</b>	12.0
<b>Temperature Range °C</b>	90 - 300
<b>IP Rating</b>	IP24
<b>Cooking Area (Width x Depth) mm</b>	890 x 600
<b>Temperature Control</b>	Mechanical

#### Key Specifications

<b>Number of Heat Zones</b>	2
<b>Grill Plate Surface Type</b>	Smooth
<b>Grill Plate Material</b>	Steel

#### Weights and Dimensions

<b>Unit Height (External) mm</b>	428
<b>Unit Width (External) mm</b>	900
<b>Unit Depth (External) mm</b>	800
<b>Net Weight Kg</b>	111

#### Supply Connections

<b>Requires Installation</b>	Yes
<b>Requires Electrical Supply</b>	Yes
<b>UK 3 Pin Plug</b>	No
<b>Requires Hardwiring</b>	Yes
<b>Electrical Supply Rating Watts</b>	12,000
<b>Single Phase Amps</b>	52.2
<b>Single Phase Voltage</b>	230
<b>Three Phase Amps</b>	L1=17.4 ; L2=17.4 ; L3=17.4
<b>Three Phase Voltage</b>	400

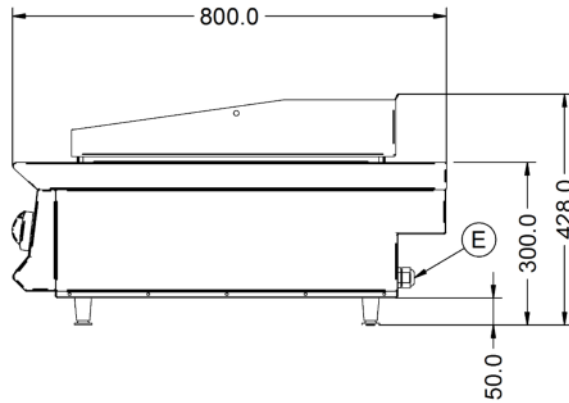
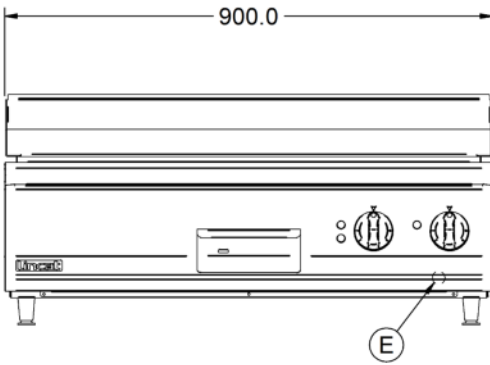
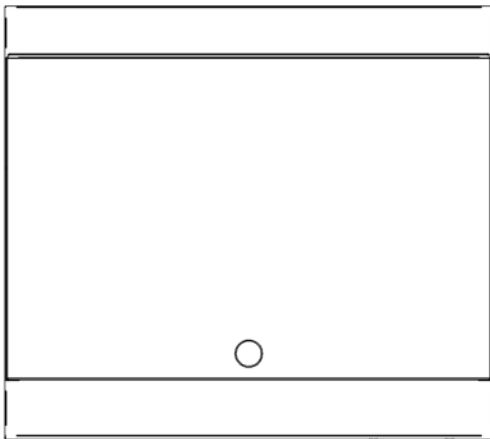
#### Shipping

<b>Packed Weight Kg</b>	127.5
<b>Packed Height cm</b>	64
<b>Packed Width cm</b>	100
<b>Packed Depth cm</b>	85

### Available Accessories

<b>LK11</b>	OPUS 800 LONG LEG KIT
<b>OA8914</b>	Opus 800 Free-standing Floor Stand with Legs - for units W 900 mm
<b>OA8914/C</b>	Opus 800 Free-standing Floor Stand with Castors - for units W 900 mm
<b>OA8973</b>	Opus 800 Free-standing Pedestal with Doors and Legs - for units W 900 mm
<b>OA8973/C</b>	Opus 800 Free-standing Pedestal with Doors and Castors - for units W 900 mm

### Technical Picture



**Lincat Limited**

Whisby Road,  
Lincoln, LN6 3QZ,  
United Kingdom

**Company No:** 2175448

A member company of



**Customer Care**

**Tel:** +44 1522 875500  
**Email:** care@lincat.co.uk

**Export Customers**

**Tel:** +44 1522 503250  
**Email:** export@lincat.co.uk

**Opening Hours**

**Monday – Friday:**  
8.30am – 5pm