



# Installation, Operating and Servicing Instructions

## Opus 800 Electric Induction Hobs OE8013, OE8014

Please make a note of your product details for  
future use:

Date Purchased: \_\_\_\_\_

Model Number: \_\_\_\_\_

Serial Number: \_\_\_\_\_

Dealer:  
\_\_\_\_\_

*Opus* **800**

# CONTENTS

Important Information	2
Warnings and Precautions	3
Technical Data	3
Checklist of Enclosures	4
Installation and Commissioning	4-6
Operating Instructions	7-8
Cleaning	9
Servicing, Maintenance and Component Replacement	9
Fault Finding	10
Spare Parts List	10
Accessories	10
Service Information and Guarantee	11

## IMPORTANT INFORMATION

---



Read these instructions carefully before using this product, paying particular attention to all sections that carry warning symbols, caution symbols and notices. Ensure that these are understood at all times.

---



### **WARNING!**

This symbol is used whenever there is a risk of personal injury.

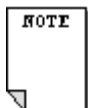
---



### **CAUTION!**

This symbol is used whenever there is a risk of damaging your Lincat product.

---



### **NOTE:**

This symbol is used to provide additional information, hints and tips.

---

**KEEP THIS MANUAL FOR FUTURE REFERENCE**

# WARNINGS AND PRECAUTIONS



This appliance must be installed, commissioned and serviced by a qualified person in accordance with national and local regulations in force in the country of installation.



Caution Symbol: Non-ionising electromagnetic radiation (magnetic field).

Warning Symbol: Dangerous voltage (live parts at a working voltage exceeding 250V).

If the supply cord is damaged, it must be replaced by the manufacturer, its service agent or similarly qualified person.

Ensure that the plug/socket is accessible at all times.

Strip plastic coating and clean the appliance before use.

During operation parts may become hot - avoid accidental contact.

Disconnect this appliance before servicing, maintenance or cleaning.

**If the ceramic glass surface is cracked, immediately disconnect the appliance from the supply.**

Do not stand on the unit. Surfaces are not to be used for storage.

# TECHNICAL DATA

	OE8013	OE8014
Height (mm)	400	
Width (mm)	300	600
Depth (mm)	800	
Weight (kg)	29.5	52.8
Hob zones	2	4
Hob surface	6mm thick ceramic glass	
Electrical supply 3N~+E	400V 3ph 50Hz	
Total power rating (A)	15.3	30.7
Heat input per zone (kW)	5	
Total power (kW)	10	20

# CHECK LIST OF ENCLOSURES

Warranty card
Instructions manual
Air deflector

# INSTALLATION AND COMMISSIONING

This appliance must be earthed.



An equipotential bonding terminal is provided to allow cross bonding with other equipment.

If replacing the plug connect the terminals as follows:

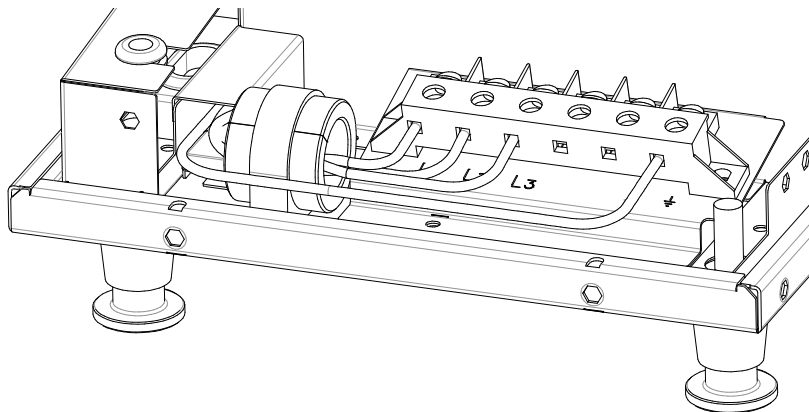
Green and Yellow wire	Earth	E
Blue wire	Neutral	N
Brown wire	Live	L1
Black wire	Live	L2
Grey wire	Live	L3

Means of isolation with at least 3mm contact separation in all poles must be incorporated into the fixed wiring of this appliance.

The fixed wiring insulation must be protected by insulated sleeving having a temperature rating of at least 60°C.

Supply cords shall be oil resistant, sheathed flexible cable not lighter than ordinary polychloroprene or equivalent elastomer sheathed cord (code 60245 IEC 57)

If the supply cable is replaced, the live conductors must pass through the ferrite ring for EMC compliance. Do not pass the neutral or earth wire through the ferrite ring.



A circuit breaker of type B or C, of suitable current rating should be fitted.

A Residual Current Device (RCD) of suitable current rating should be fitted.

A short time delay AC-DC sensitive RCD is recommended.

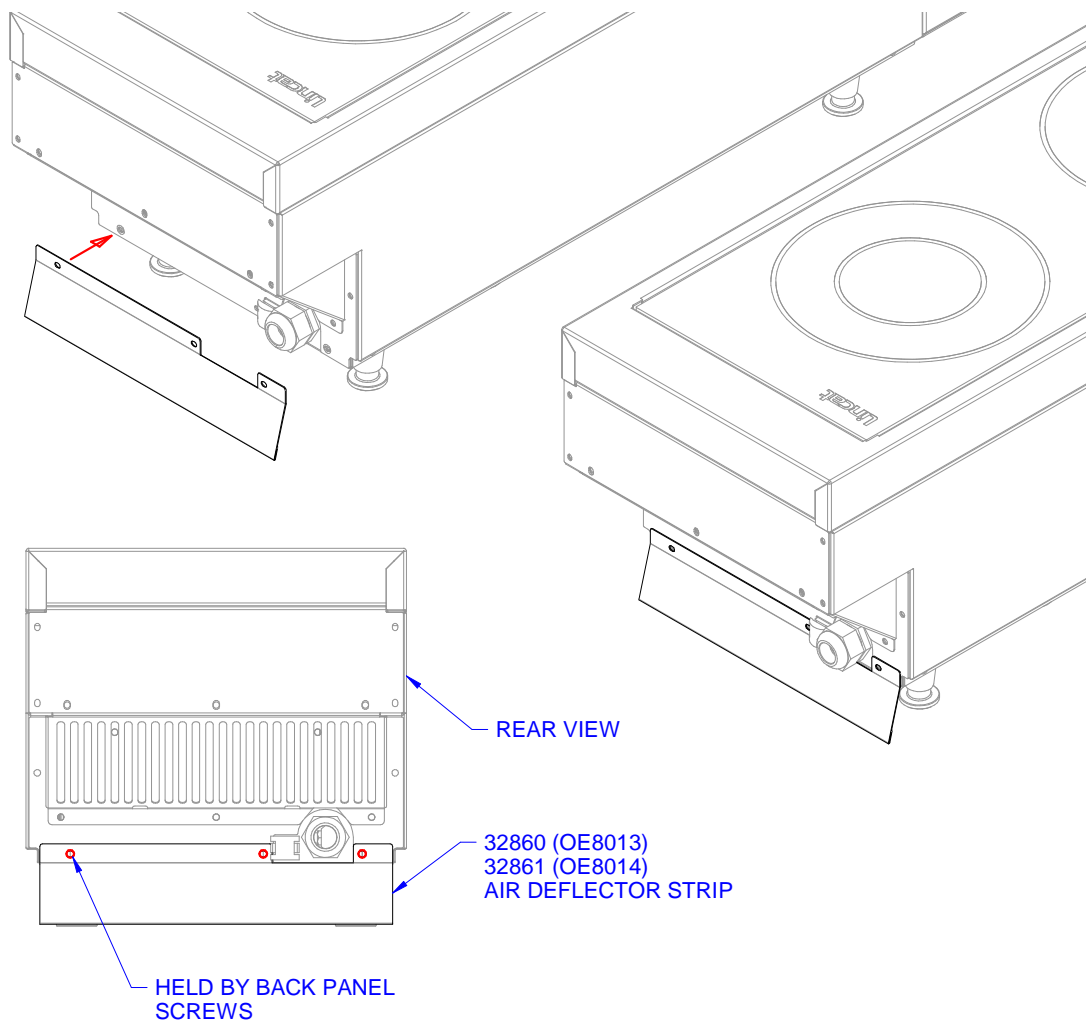
The OE8013 requires a min 30mA trip level RCD.

The OE8014 requires a min 100mA trip level RCD.

Keep means of electrical isolation accessible at all times.

We recommend that the units are fitted to pedestals, as this gives optimal air flow for cooling the units. Do not block or restrict the inlet filters on the appliance base. Restricted airflow will result in reduced performance.

If the unit is not being fitted to a pedestal then fit the supplied air deflector as illustrated, using the back panel screws:



If the OE8013 is fitted to Floorstand OA8934 or Pedestal OA8970, then the supplied stability bracket must be fitted for safety reasons.

Install this appliance on a level surface ensuring all vents are unobstructed. Any partitions, walls or furniture must be of non-combustible material. Minimum distances, A 100mm, B 1000mm – see Fig 1.

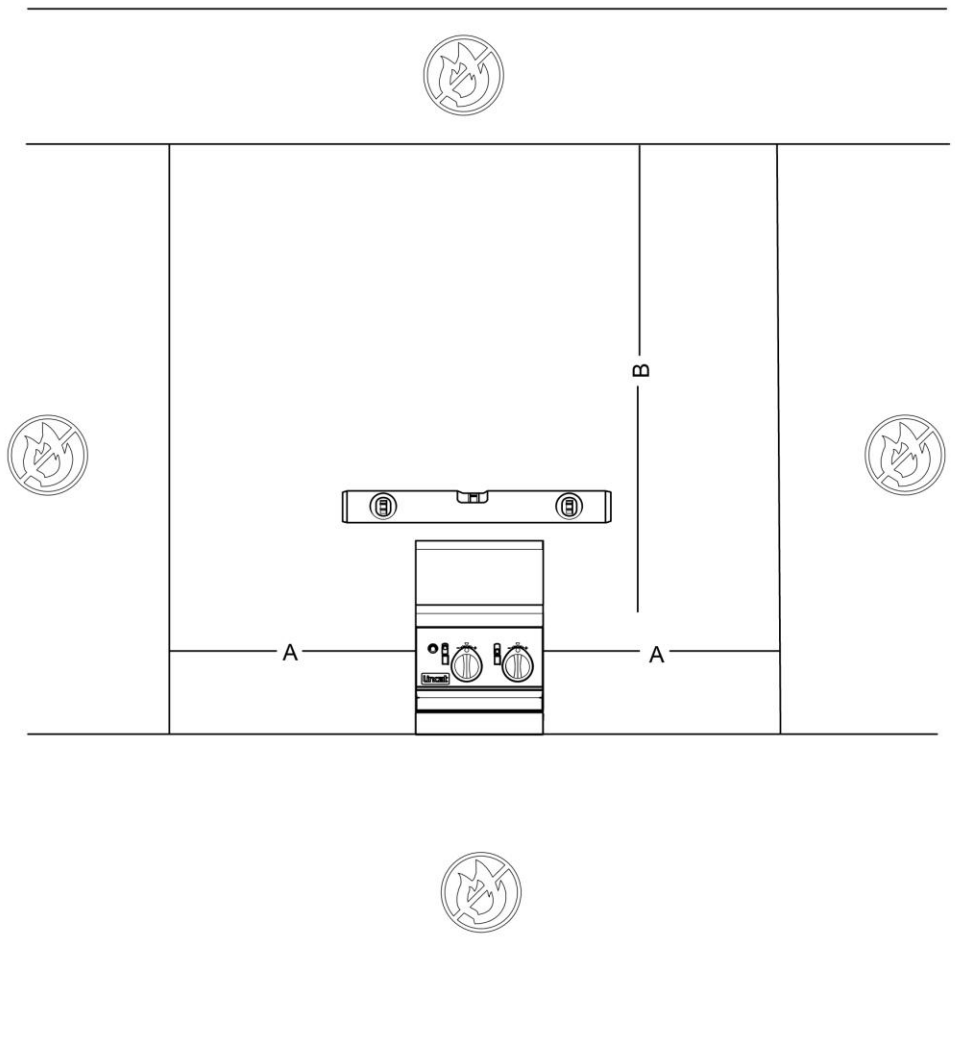


Fig 1

# OPERATING INSTRUCTIONS

## General Information

Only qualified or trained personnel should use this appliance.

The green neon illuminated indicates power to the appliance.

When the induction hob is initially switched on, there will be a momentary flashing of the green indicators. Rotate the control knob to the required power level setting.

After use, switch the hob zone off by means of the control. Do not rely on the pan detectors.

Fans may continue to operate after controls are switched to zero. This is normal.

Do not place aluminium foil or plastic vessels on hot ceramic surfaces. Do not use the surfaces for storage.

Metallic objects should not be placed within the cooking zones as they will get hot. Take care when operating the appliance as rings, watches or similar objects could get hot in close proximity to the hob surfaces.

Only use pans of the size and type recommended in the pan selection notes.

Users with heart pacemakers should consult with their doctor or the manufacturer of the pacemaker.

## Induction cooking and pan selection

Induction cooking produces heat directly in the base of the pan. The system comprises a ceramic glass hob with an induction coil beneath it. The coil generates an alternating magnetic field. When a pan with a magnetic base is placed on the cooking zone, eddy currents are produced in the base of the pan leading to the production of heat. The pan heats extremely quickly.

The quality of the cookware is essential to the efficiency of induction cooking. The base of the pan needs to be flat with good heat distribution.

Suitable pans are made from cast iron, enamelled steel and stainless steel with a magnetic base. Unsuitable pans are glass, earthenware, aluminium, copper and non-magnetic stainless steel.

Operation of the pan detection system is dependent on the size of the pan and its material. Power from the induction coil to the pan will vary and is dependent on size and pan material.

It is normal for induction generators to make buzzing, whistling and clicking noises, especially on lower power settings.

Locate the pan concentrically over the ceramic glass target ring. If the inner ring of the ceramic glass is visible around the pan, the pan is too small.

Recommended pan base diameter – minimum of 120mm.  
Nominal coil diameter – 220mm.

### **Power level settings**

Constantly variable power level settings are available via the rotary control knob,

### **Error codes**

There are numerous error codes identifying issues within the induction system. These are primarily of use when reporting a fault to Lincat's Service Department; however some errors can be cleared by turning the control to the 'Off' position, unplugging the appliance and then switching back on again.

An illuminated red LED indicates an error.  
The generator error codes are displayed in a series of flashes of the green LED. There is a long flash followed by a series of shorter flashes.  
The number of these short flashes is the error number.



A reduction in performance during cooking may be attributed to a blocked or restricted air filter, a confined location with insufficient airflow or a failed cooling fan.

Exhaust air from the induction hob that can recirculate into the air inlet filter, can contribute to reduced hob performance.  
The air deflector accessory is provided to reduce this air recirculation, see fitting instructions on page 5.

### **Pan detection function**

Each zone has pan detection which prevents the coil from turning on without a pan being present. The coil also turns off when a pan is removed.



## CLEANING

Your product has a manufacturer's warranty. This requires you maintain and care for your product and follow maintenance instructions. If you fail to maintain your unit or damage components, Lincat may charge you for a warranty repair. Please check the website for terms and conditions.

Isolate from the power supply and allow to cool.



Do not use a water jet or steam cleaner, and do not immerse this appliance.

Clean all panels with warm water and mild detergent do not use abrasive or chlorine based cleaners. Do not wet electrical components. Dry with a soft cloth.

Clean the ceramic glass regularly, avoiding abrasive sponges or scouring agents and harsh chemicals like oven sprays. Remove dirt and food with a scraper or Vileda Ceran cleaning sponge.



**If plastic, aluminium foil or sugary food has dropped onto hot ceramic glass, scrape off immediately. If these substances melt they can damage the surface.**

Check the air filters regularly – they are washable if contaminated. Ensure they are fully dry before refitting.



## SERVICING, MAINTENANCE AND COMPONENT REPLACEMENT

### Replacing an air filter



Removing and cleaning the air filter will ensure an adequate supply of cool air and restore performance. Disconnect from the power supply and allow the appliance to cool. The filters are located on the base of the unit.

Pull the latch to allow the filter to be lifted away from the base. Remove the filter and clean – the filter may be put in a dishwasher. Replace the clean filter and re-fit, ensuring the latch has fully engaged.

Do not operate the appliance without a filter being fitted, otherwise dirt and grease could be drawn into the electronics, impairing safe operation.

All other servicing, maintenance and component replacement on this appliance should be carried out by one of our recommended service engineers.

## FAULT FINDING

Please refer to the Service Help Desk number on the final page of this manual.

## SPARE PARTS LIST

Part Number	Description	Used on
FI36	Filter pad	OE8013 (1), OE8014 (2)
KN506	Control knob	OE8013, OE8014
LE38	Leg	
32860	Air deflector	OE8013
32861	Air deflector	OE8014

## ACCESSORIES

Part Number	Description	Used on
OA8934	Floor stand	OE8013
OA8917		OE8014
OA8970	Pedestal with doors	OE8013
OA8972		OE8014
LK11	Long leg kit	

## SERVICE INFORMATION

For help with the installation, maintenance and use of your **Lincat** equipment, please contact our service department:

**☎ UK: 01522 875520**

For non-UK customers, please contact your local Lincat dealer

All service work, other than routine cleaning should be carried out by one of our authorised service agents. We cannot accept responsibility for work carried out by other persons.

To ensure your service enquiry is handled as efficiently as possible, please tell us:

- Brief details of the problem
  - Product code
  - Type number
  - Serial number
- } All available on serial plate

Lincat reserve the right to carry out any work under warranty, given reasonable access to the appliance, during normal working hours, Monday to Friday, 08:30 to 17:00.

### **GUARANTEE**

This unit carries a comprehensive UK mainland 2 year warranty. The guarantee is in addition to, and does not diminish your statutory or legal rights.

The guarantee does not cover:

- Accidental damage, misuse or use not in accordance with the manufacturer's instructions
- Consumable items (such as filters, glass, bulbs, slot toaster elements and door seals.)
- Damage due to incorrect installation, modification, unauthorised service work or damage due to scale, food debris build-up, etc.

The manufacturer disclaims any liability for incidental, or consequential damages. Attendance is based on reasonable access to the appliance to allow the authorised technician to carry out the warranty work.

Service calls to equipment under warranty will be carried out in accordance with the conditions of sale. Unless otherwise specified, a maximum of 15 minutes of administrative time, not spent directly carrying out servicing work, is provided for within the warranty. Any requirement for staff attending the call to spend greater time than 15 minutes due to administrative requirements, such as on health and safety risk assessments, will be chargeable at the prevailing rate.