



**OE8012 - Opus 800**  
**Electric Counter-top**  
**Boiling Top - W 600 mm -**  
**10.4 kW**

Perfect for large pubs and restaurants, school canteens, care homes and hospitals, the Four-Plate Opus 800 Electric Boiling Top is designed to deliver high volume and fast heat.

- ✓ Powerful heavy-duty cast iron 2.6kW square hotplates deliver fast responsive heat
- ✓ Electric Boiling Tops
- ✓ Fully pressed sealed hob for easy cleaning

**Specifications**

**Summary**

<b>Range Name</b>	Opus 800
<b>Power Type</b>	Electric
<b>Unit Type</b>	Counter-top
<b>Available in UK Only</b>	No
<b>UK Warranty</b>	2 Years Parts and Labour Warranty
<b>Export Warranty</b>	Contact your local dealer
<b>GTIN Code</b>	5056105102397

**Power and Performance**

<b>Total Power kW</b>	10.4
<b>IP Rating</b>	IP34
<b>Temperature Control</b>	Mechanical
<b>Rating per Hob kW</b>	2.6

**Key Specifications**

<b>Number of Hobs</b>	4
<b>Shape of Hob</b>	Square

**Weights and Dimensions**

<b>Unit Height (External) mm</b>	325
<b>Unit Width (External) mm</b>	600
<b>Unit Depth (External) mm</b>	800
<b>Hob Dimensions mm</b>	220 x 220
<b>Net Weight Kg</b>	60

**Supply Connections**

<b>Requires Installation</b>	Yes
<b>Requires Electrical Supply</b>	Yes
<b>UK 3 Pin Plug</b>	No
<b>Requires Hardwiring</b>	Yes
<b>Electrical Supply Rating Watts</b>	10,400
<b>Three Phase Amps</b>	L1=22.6 ; L2=22.6 ; L3=N/A
<b>Three Phase Voltage</b>	400

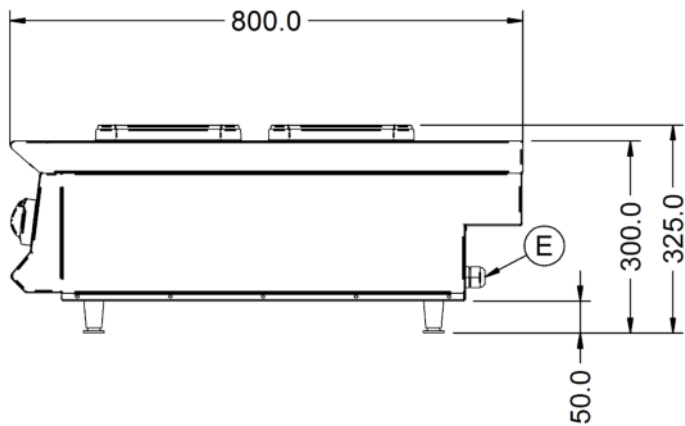
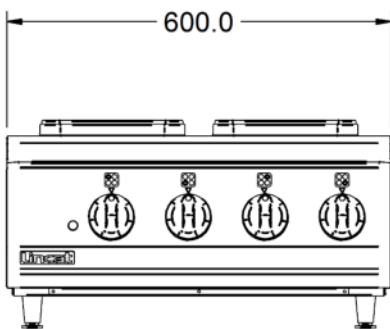
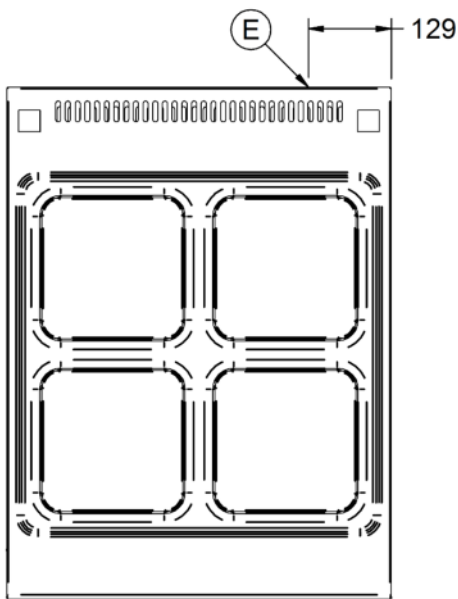
**Shipping**

<b>Packed Weight Kg</b>	73
<b>Packed Height cm</b>	46
<b>Packed Width cm</b>	70
<b>Packed Depth cm</b>	85

**Available Accessories**

<b>LK11</b>	OPUS 800 LONG LEG KIT
<b>OA8917</b>	Opus 800 Free-standing Floor Stand with Legs - for units W 600 mm
<b>OA8917/C</b>	Opus 800 Free-standing Floor Stand with Castors - for units W 600 mm
<b>OA8972</b>	Opus 800 Free-standing Pedestal with Doors and Legs - for units W 600 mm
<b>OA8972/C</b>	Opus 800 Free-standing Pedestal with Doors and Castors - for units W 600 mm

**Technical Picture**



**Lincat Limited**

Whisby Road,  
Lincoln, LN6 3QZ,  
United Kingdom

**Company No:** 2175448

A member company of



**Customer Care**

**Tel:** +44 1522 875500  
**Email:** care@lincat.co.uk

**Export Customers**

**Tel:** +44 1522 503250  
**Email:** export@lincat.co.uk

**Opening Hours**

**Monday – Friday:**  
8.30am – 5pm