

**UNDERCOUNTER GLASSWASHERS  
GC SERIES**

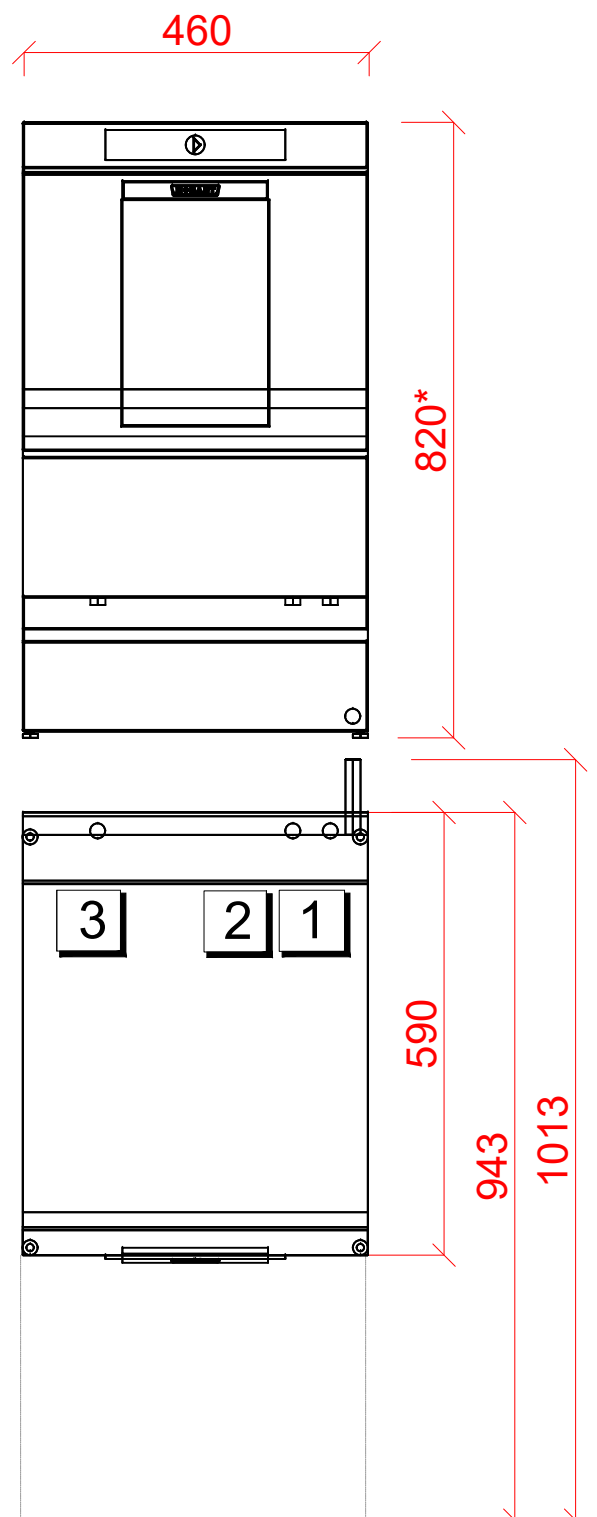
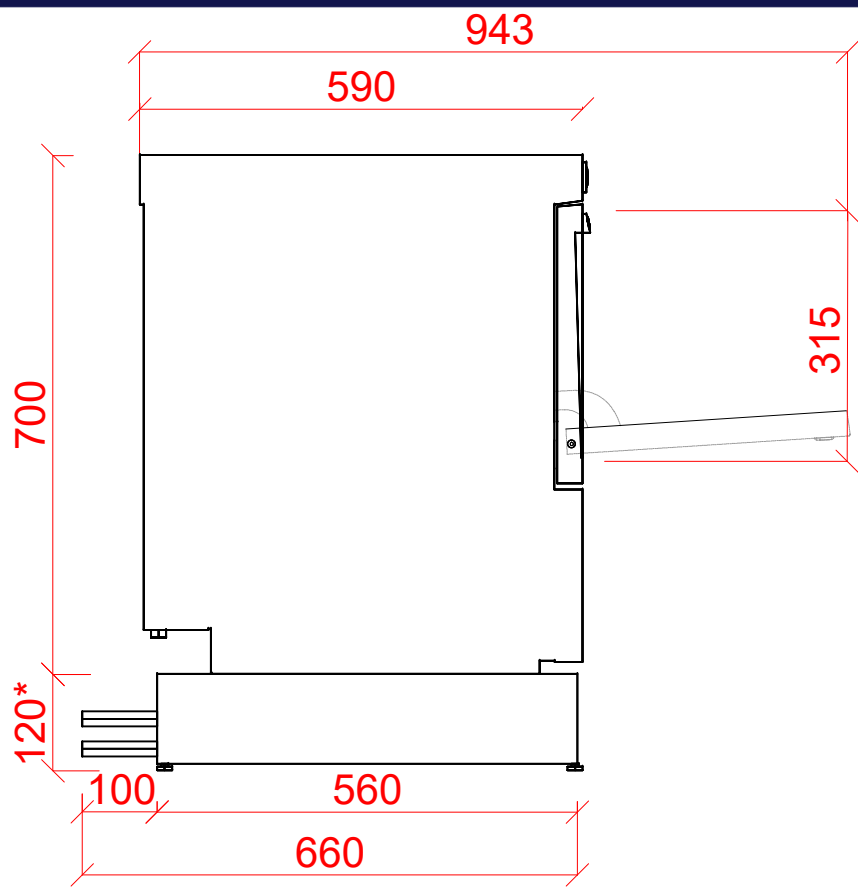


**HOBART UK,**  
SOUTHGATE WAY,  
ORTON SOUTHGATE,  
PETERBOROUGH.  
PE2 6GN  
0844 888 7777

www.hobartuk.com

**Undercounter Glasswasher with Reverse Osmosis Unit**

**GCROI-10A**



**1 Water**

22mm CONNECTION VIA 2 METRE FLEXIBLE HOSE, FEMALE TERMINATION.  
  
WATER SUPPLY 55C TO 60°C @ 0.5 TO 10.0 BAR MAX. INITIAL TANK FILL 8 LITRES.  
  
RINSE WATER USAGE 1.9 LITRES PER CYCLE. MAX USAGE 110 LITRES PER HOUR.  
  
OUR MACHINES ARE SUPPLIED WITH CLASS 'AA' AIR GAP AS STANDARD.

**2 Drain**

DRAIN - 1.75 METRE FLEXIBLE HOSE TO A 40mm TRAPPED STANDPIPE 600mm MAX A.F.F.L.  
  
FLOW RATE 30 LITRES PER MINUTE.  
  
**Other Services**  
RINSE AGENT HOSE - 2.5 METRE FLEXIBLE.  
DETERGENT HOSE - 2.5 METRE FLEXIBLE.

**3 Electric**

4.6kW 400/50/3 FUSED AT 3 x 16amps  
MACHINE SUPPLIED WITH 2.0 METRES OF CABLE  
**CONFIGURABLE TO:**  
5.6kW 230/50/1 FUSED AT 25amps  
ELECTRICS FOR ROI ARE THROUGH DISHWASHER.  
  
**Notes**  
APPROX WEIGHTS:  
EMPTY: 50kg's WITH WATER: 64kg's  
**\*+40mm**

**PLOT SCALE: 1:10**

RIGHT TO MAKE NECESSARY CHANGES IS RESERVED