

F900 SERIES



E9042 and E9084 Counter Units E9184 Four Hotplate Range + Offshore Spares Information



E9042



E9184

E9042-84-184-Spares-0317

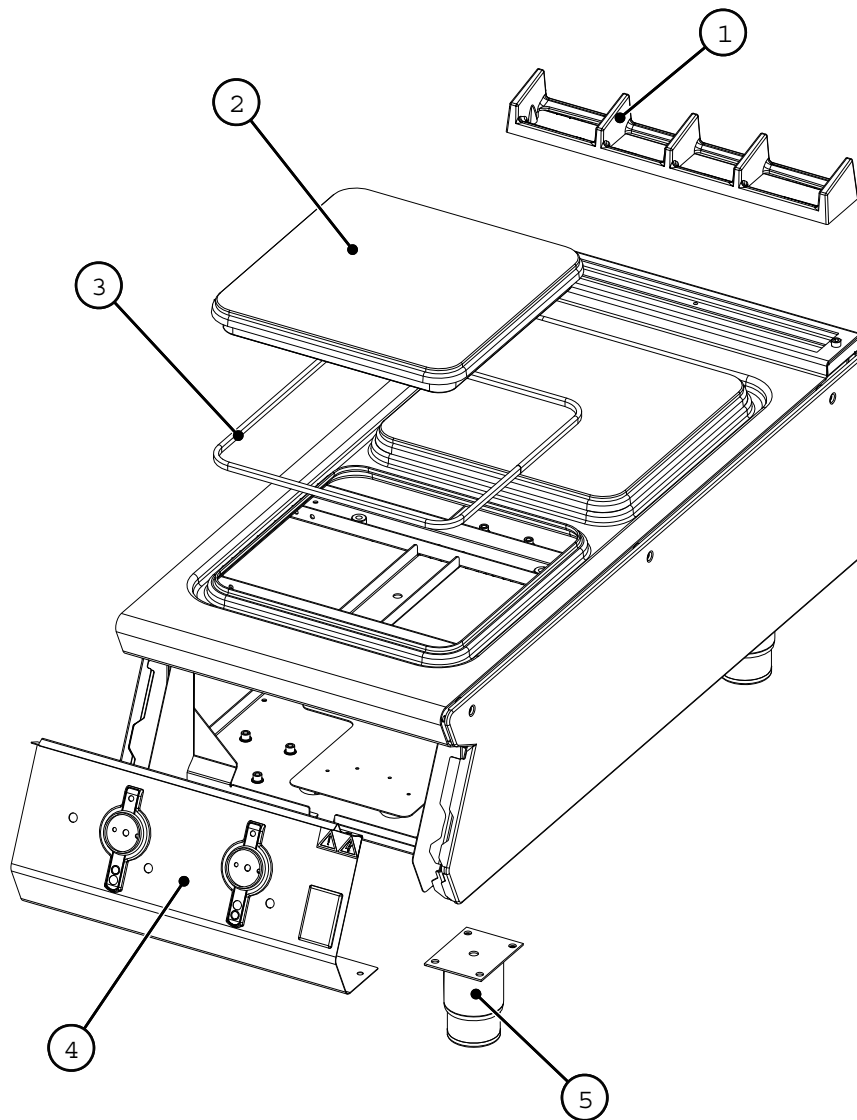
Falcon Foodservice Equipment

Wallace View, Hillfoots Road, Stirling FK9 5PY t: +44 (0) 1786 455 200 f: 08000 275 595
info@falconfoodservice.com www.falconfoodservice.com

F900 SERIES

E9042 Boiling Top

Fitments





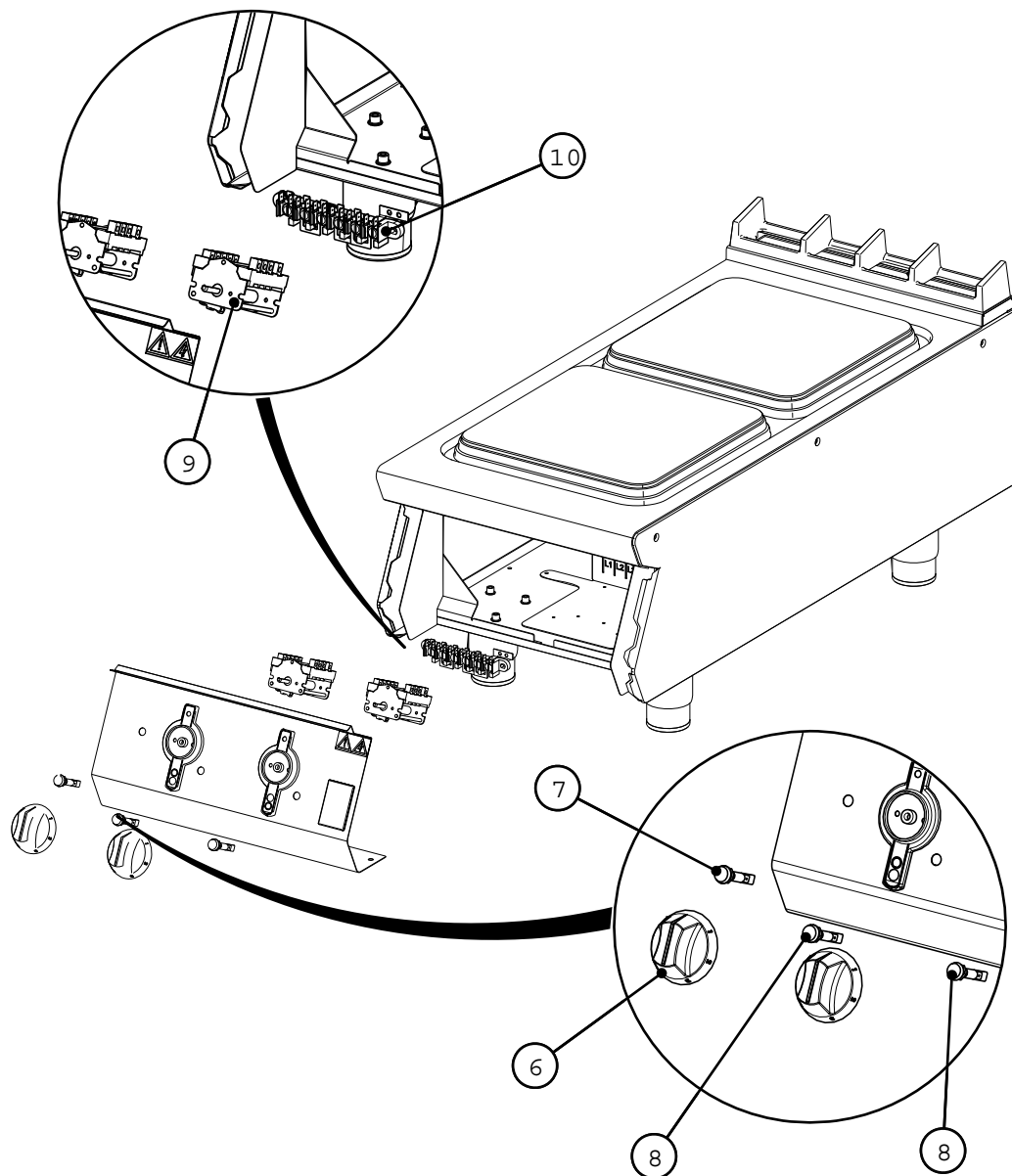
Fitments

<u>Item</u>	<u>Description</u>	<u>Spares No.</u>	<u>Part No.</u>
1.	400mm flue capper	533400019	RT704001
2.	Hotplate 4.4kW (230V)	733400001	RA9164
3.	Seal for hotplate	733400002	RR18
4.	Control panel	733400003	690142
5.	Adjustable foot (<i>stainless steel</i>)	535150025	R6377

F900 SERIES

E9042 Boiling Top

Controls





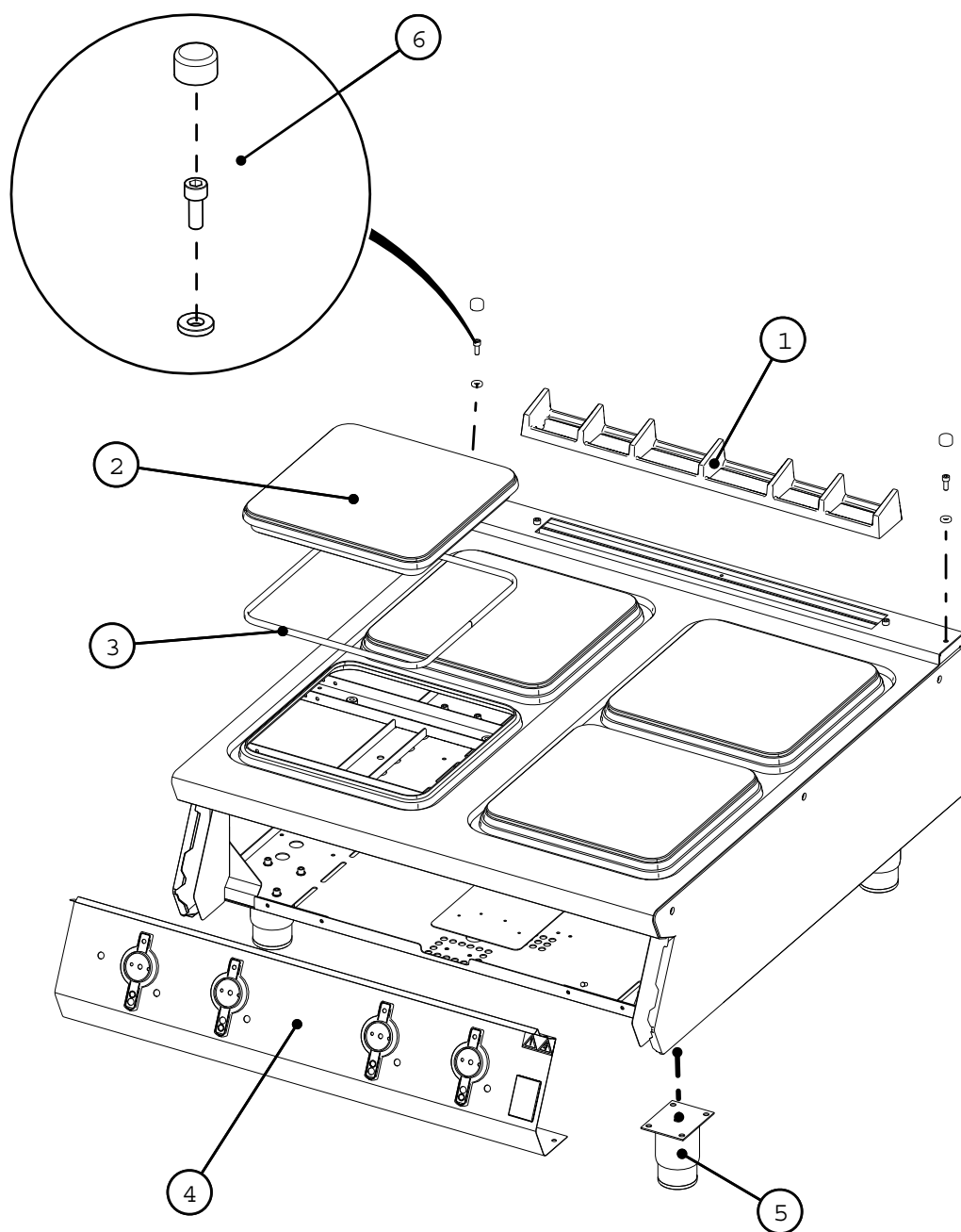
Controls

<u>Item</u>	<u>Description</u>	<u>Spares No.</u>	<u>Part No.</u>
6.	Control Knob	733400000	RA9133
7.	Mains pilot light (<i>red</i>)	730962010	RA9249
8.	Circuit pilot light (<i>amber</i>)	730962040	RA9250
9.	Rotary switch	731880046	R889
10.	Mains terminal block	731000006	R6359

F900 SERIES

E9084 Boiling Top

Fitments





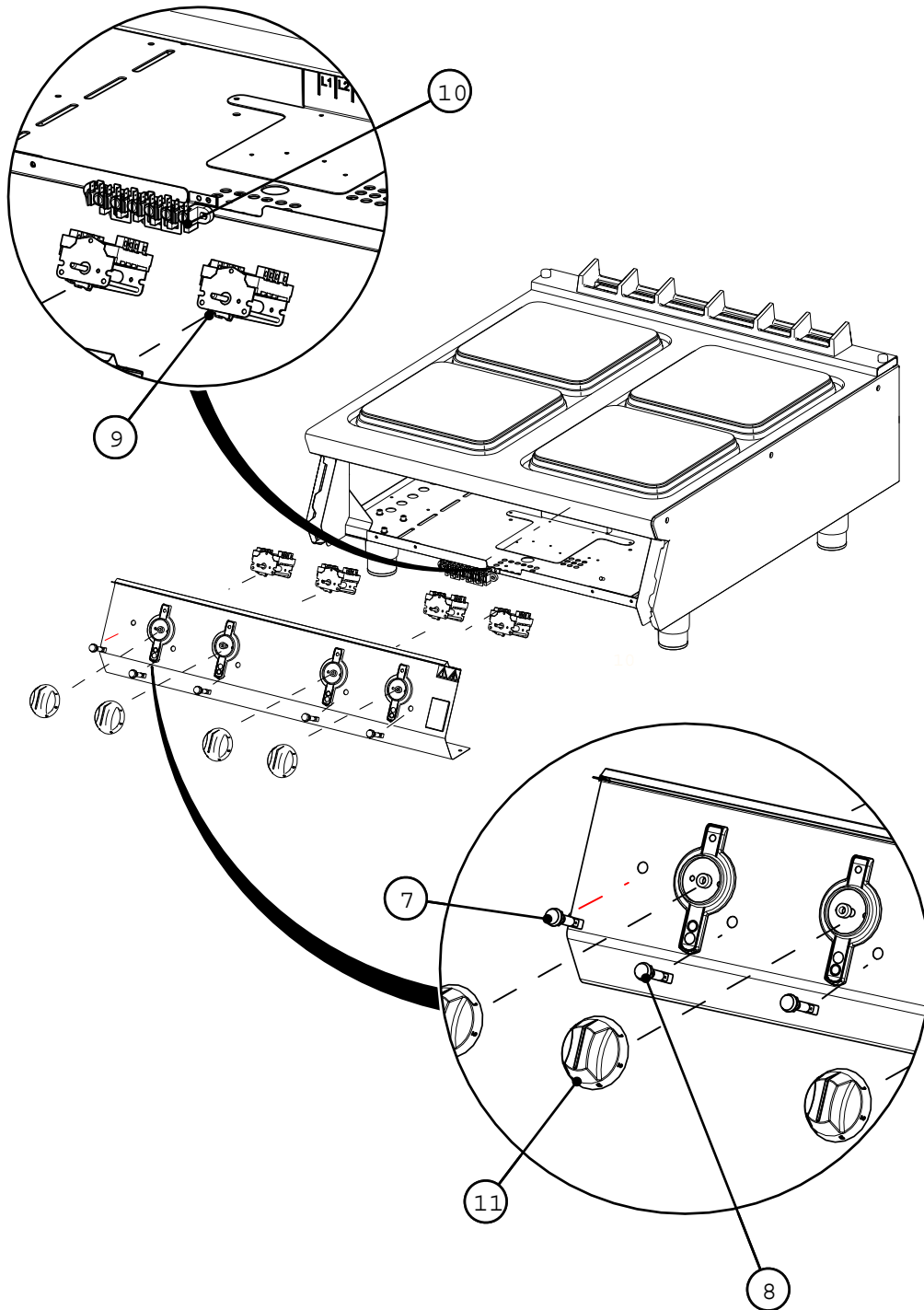
Fitments

<u>Item</u>	<u>Description</u>	<u>Spares No.</u>	<u>Part No.</u>
1	600mm flue capper	533410002	RT704002
2.	Hotplate 4.4kW (230V)	733400001	RA9164
3.	Seal for hotplate	733400002	RR18
4.	Control panel	733410000	690143
5.	Adjustable foot (<i>stainless steel</i>)	535150025	R6377
6.	Screw cap kit	533550009	690049

F900 SERIES

E9084 Boiling Top

Controls





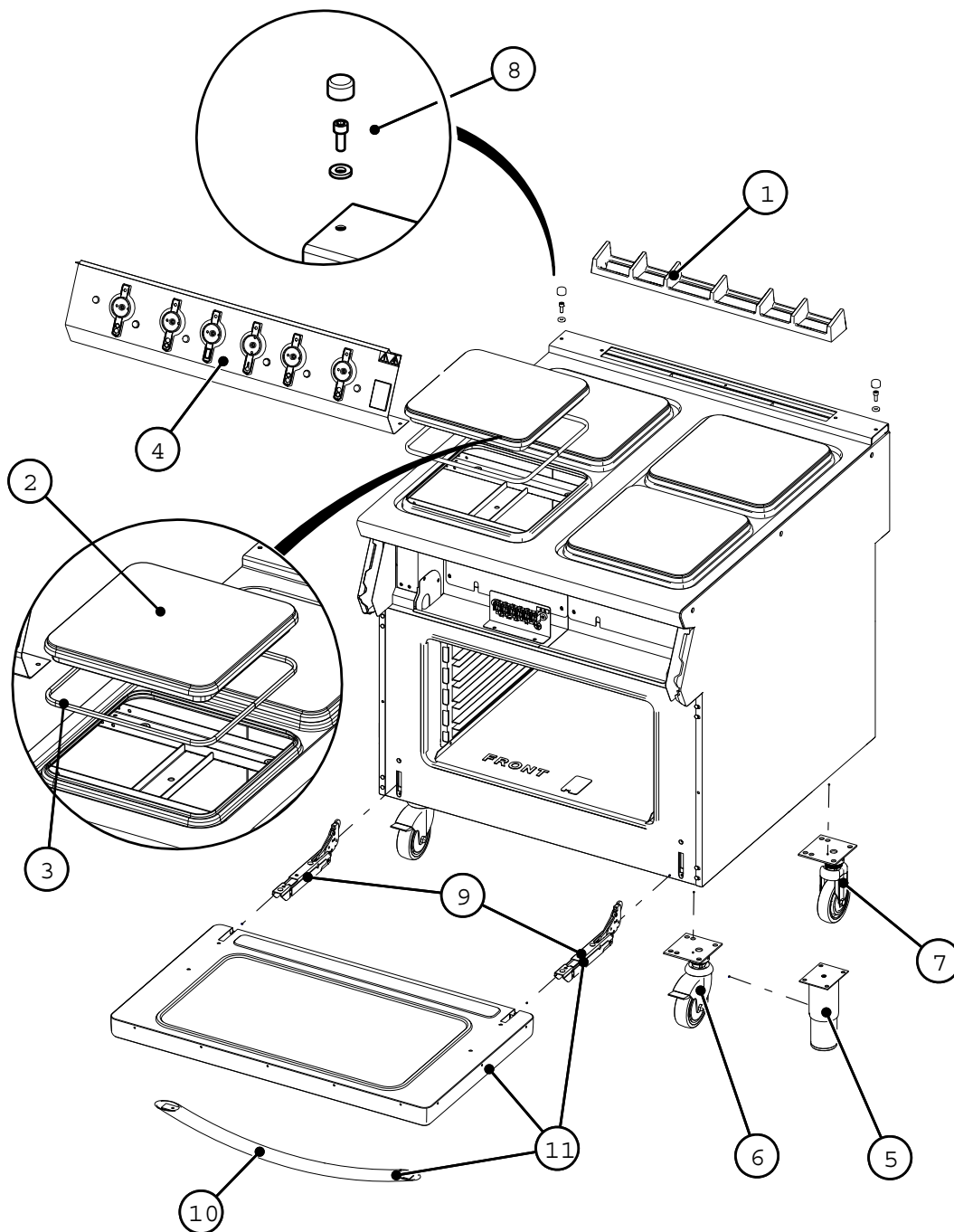
Controls

<u>Item</u>	<u>Description</u>	<u>Spares No.</u>	<u>Part No.</u>
7.	Mains pilot light (<i>red</i>)	730962010	RA9249
8.	Circuit pilot light (<i>amber</i>)	730962040	RA9250
9.	Rotary switch	731880046	R889
10.	Mains terminal block	731000006	R6359
11.	Control Knob	733400000	RA9133

F900 SERIES

E9184 Four Hotplate Range

Fitments 1





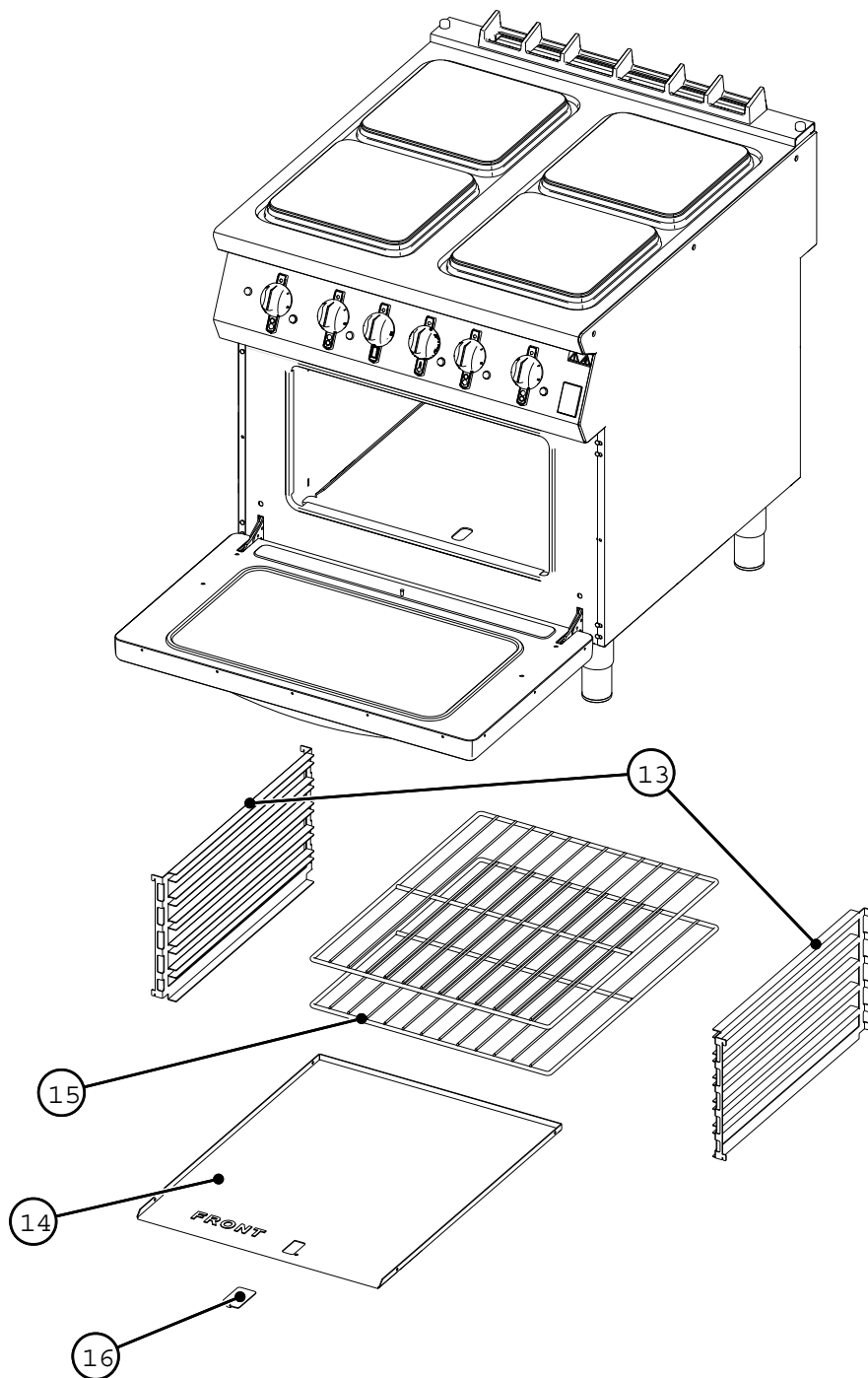
Fitments 1

<u>Item</u>	<u>Description</u>	<u>Spares No.</u>	<u>Part No.</u>
1.	600mm flue capper	533410002	RT704002
2.	Hotplate 4.4kW (230V)	733400001	RA9164
3.	Seal for hotplate	733400002	RR18
4.	Control panel	733440004	690156
5.	Adjustable leg (<i>stainless steel</i>)	535480067	R6285
6.	Swivel castor (<i>set of 2</i>)	535400222	600286
7.	Fixed castor (<i>set of 2</i>)	530964340	600284
8.	F900 screw cap kit	533550009	690049
9.	Door hinge assembly	533450012	690110
10.	Oven door handle	533450011	690109
11.	Oven door assembly	533450010	RA9216

F900 SERIES

E9184 Four Hotplate Range

Fitments 2





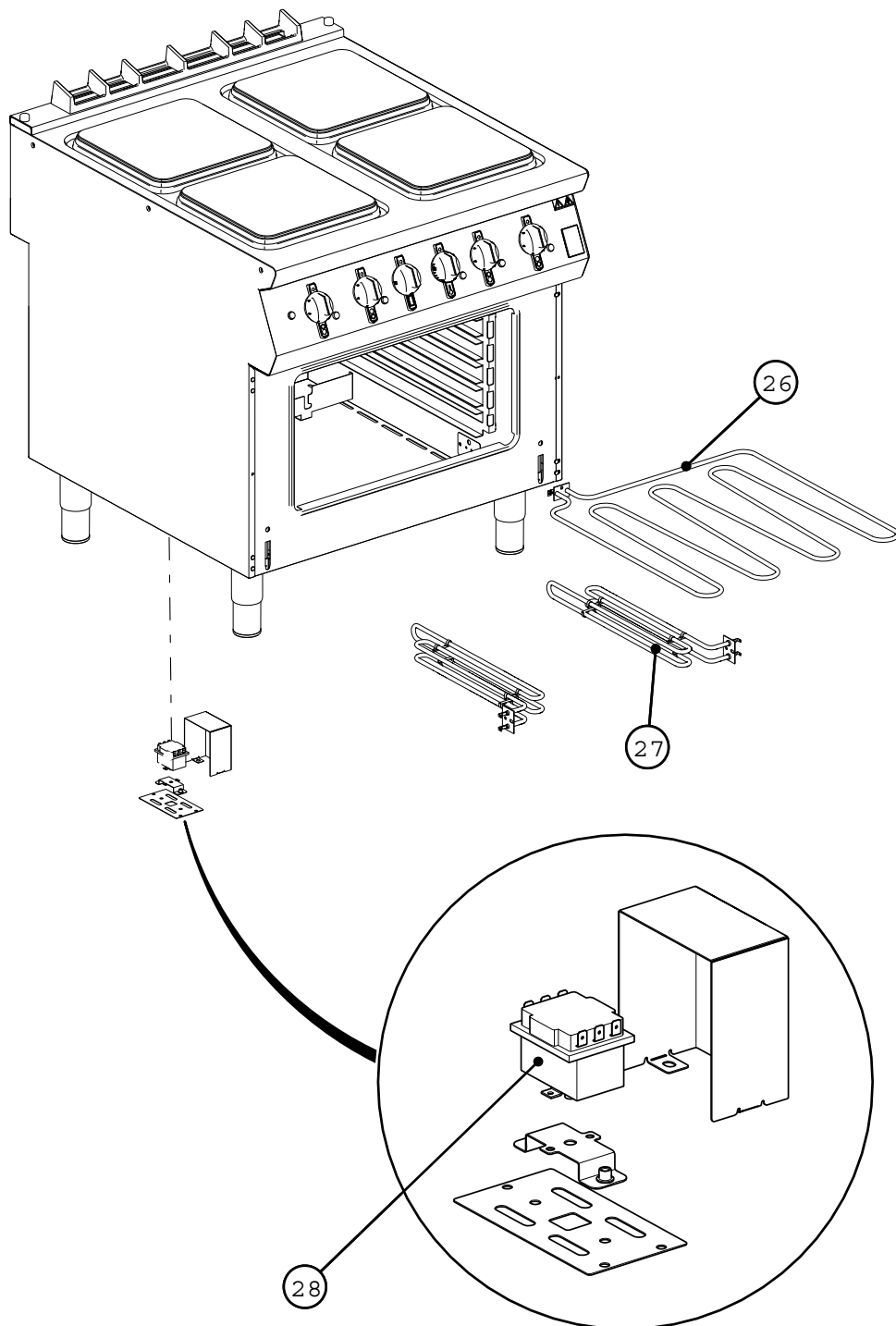
Fitments 2

<u>Item</u>	<u>Description</u>	<u>Spares No.</u>	<u>Part No.</u>
13.	Shelf hanger	533450018	T703121
14.	Oven base tray	533450020	P700000
15.	Oven shelf	525270000	R6488
16.	Pilot viewing plate	533450017	690016

F900 SERIES

E9184 Four Hotplate Range

Fitments 3





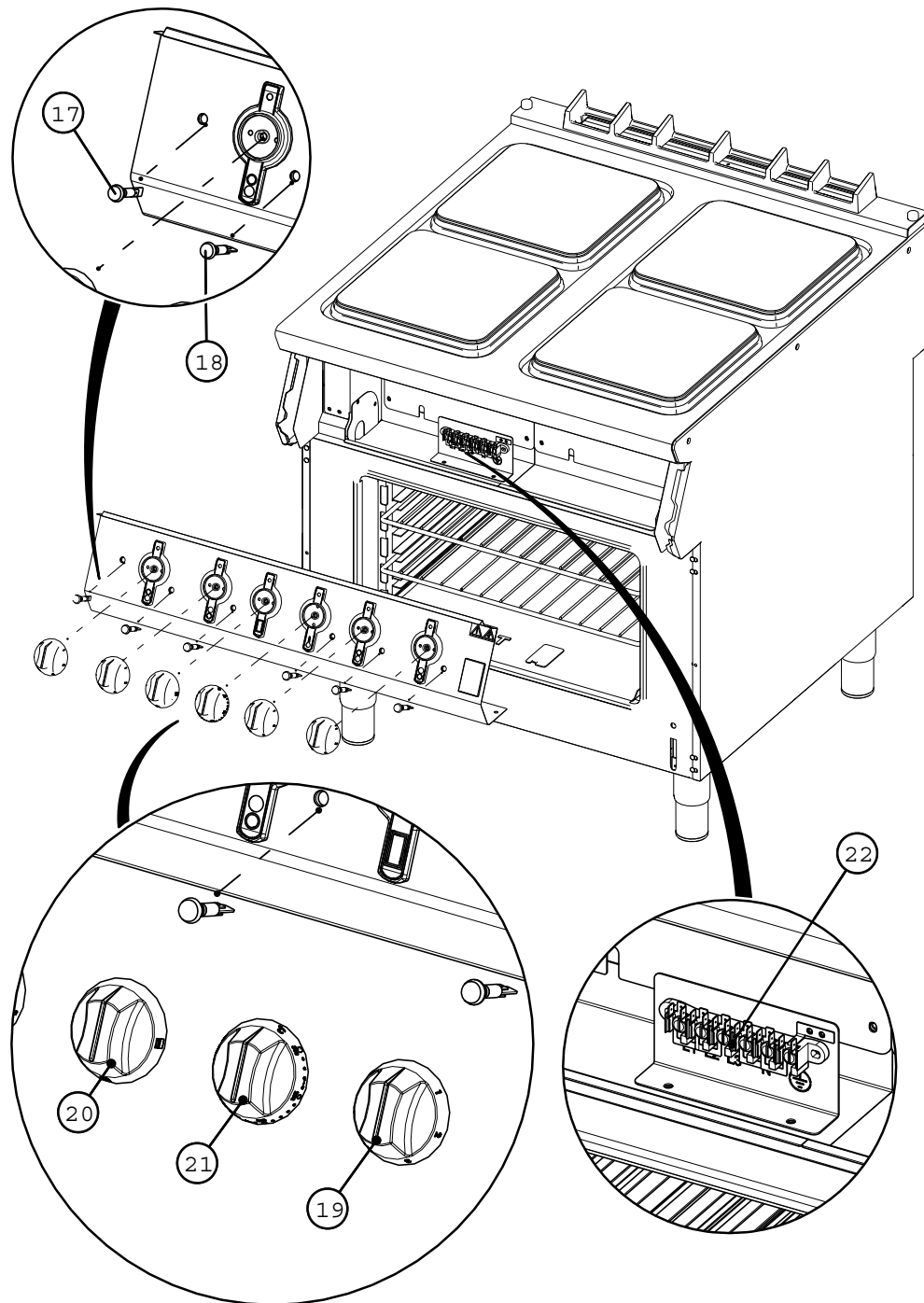
Fitments 3

<u>Item</u>	<u>Description</u>	<u>Spares No.</u>	<u>Part No.</u>
26.	Oven top element (230V)	733440003	RA9295
27.	Oven bottom element (240V)	730962060	R6292
28.	Safety thermostat	733440005	RA9324

F900 SERIES

E9184 Four Hotplate Range

Controls 1





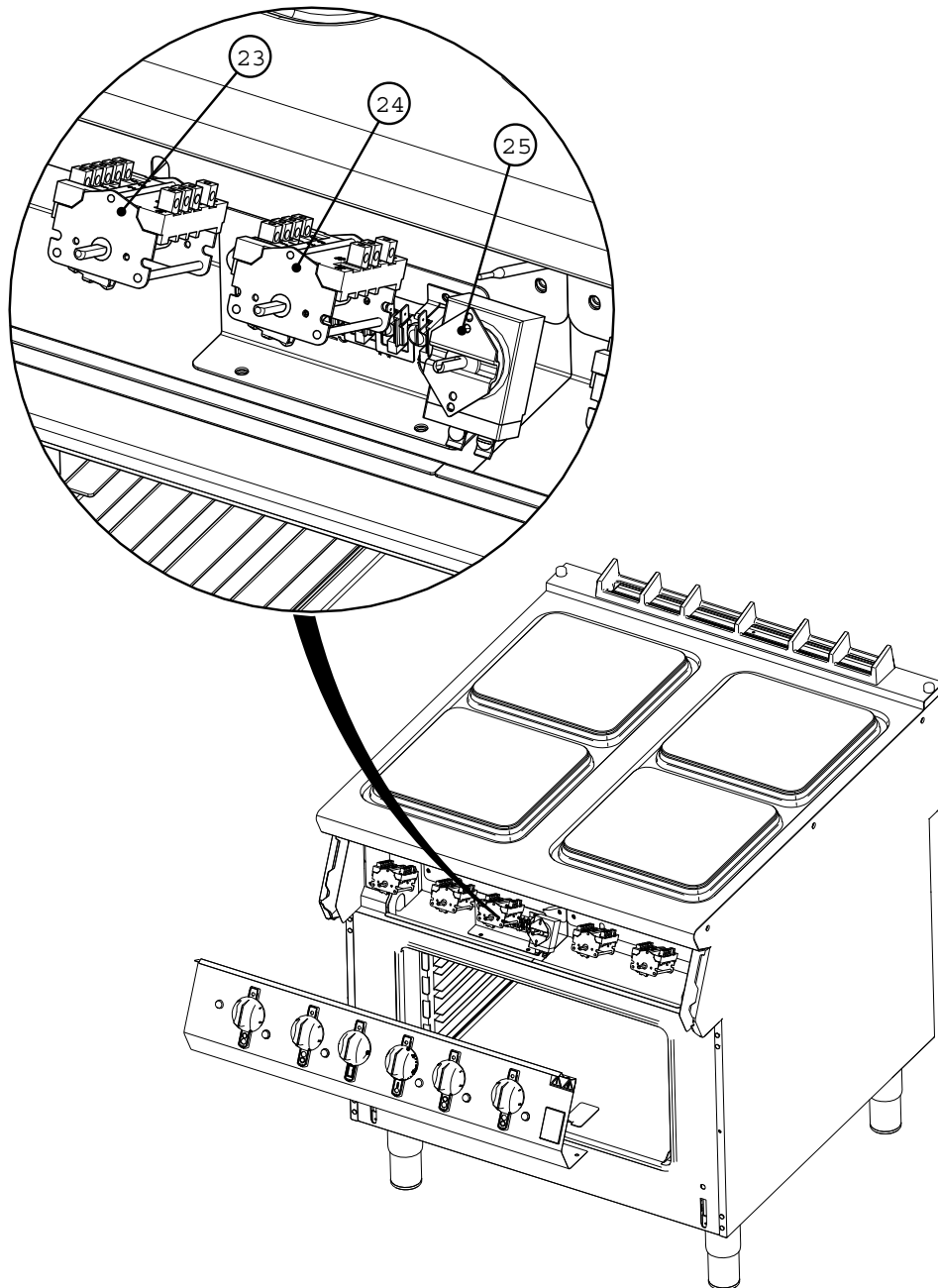
Controls 1

<u>Item</u>	<u>Description</u>	<u>Spares No.</u>	<u>Part No.</u>
17.	Mains pilot light (<i>red</i>)	730962010	RA9249
18.	Circuit pilot light (<i>amber</i>)	730962040	RA9250
19.	Hotplate control knob	733400000	RA9133
20.	Oven zone control knob	733440001	RA9261
21.	Oven temperature control knob	733440000	RA9260
22.	Mains terminal block	731000006	R6359

F900 SERIES

E9184 Four Hotplate Range

Controls 2





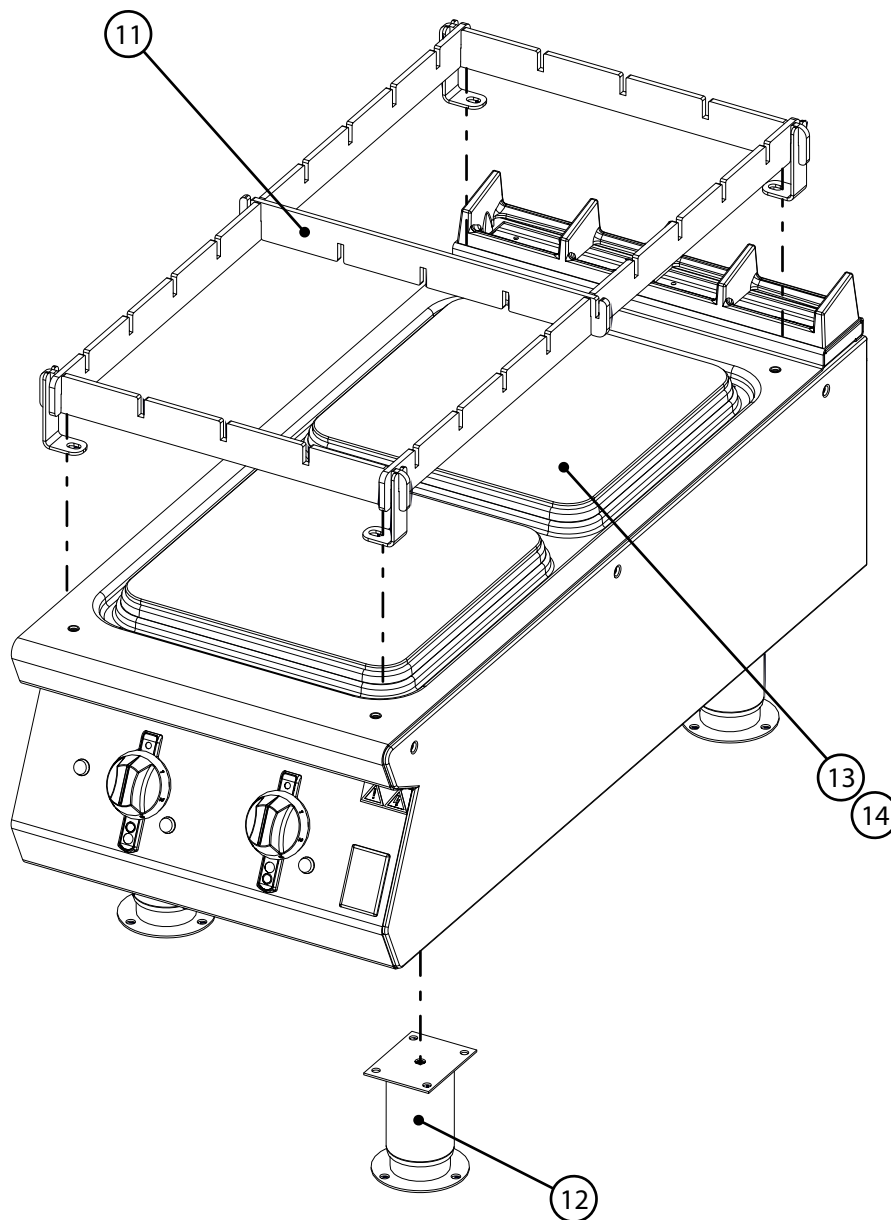
Controls 2

<u>Item</u>	<u>Description</u>	<u>Spares No.</u>	<u>Part No.</u>
23.	Rotary switch (<i>hotplate</i>)	731880046	R889
24.	Oven zone switch	733440002	RJJ23
25.	Oven temperature switch	734000032	RKK4B

F900 SERIES

E9042 Boiling Top (Offshore)

Spares





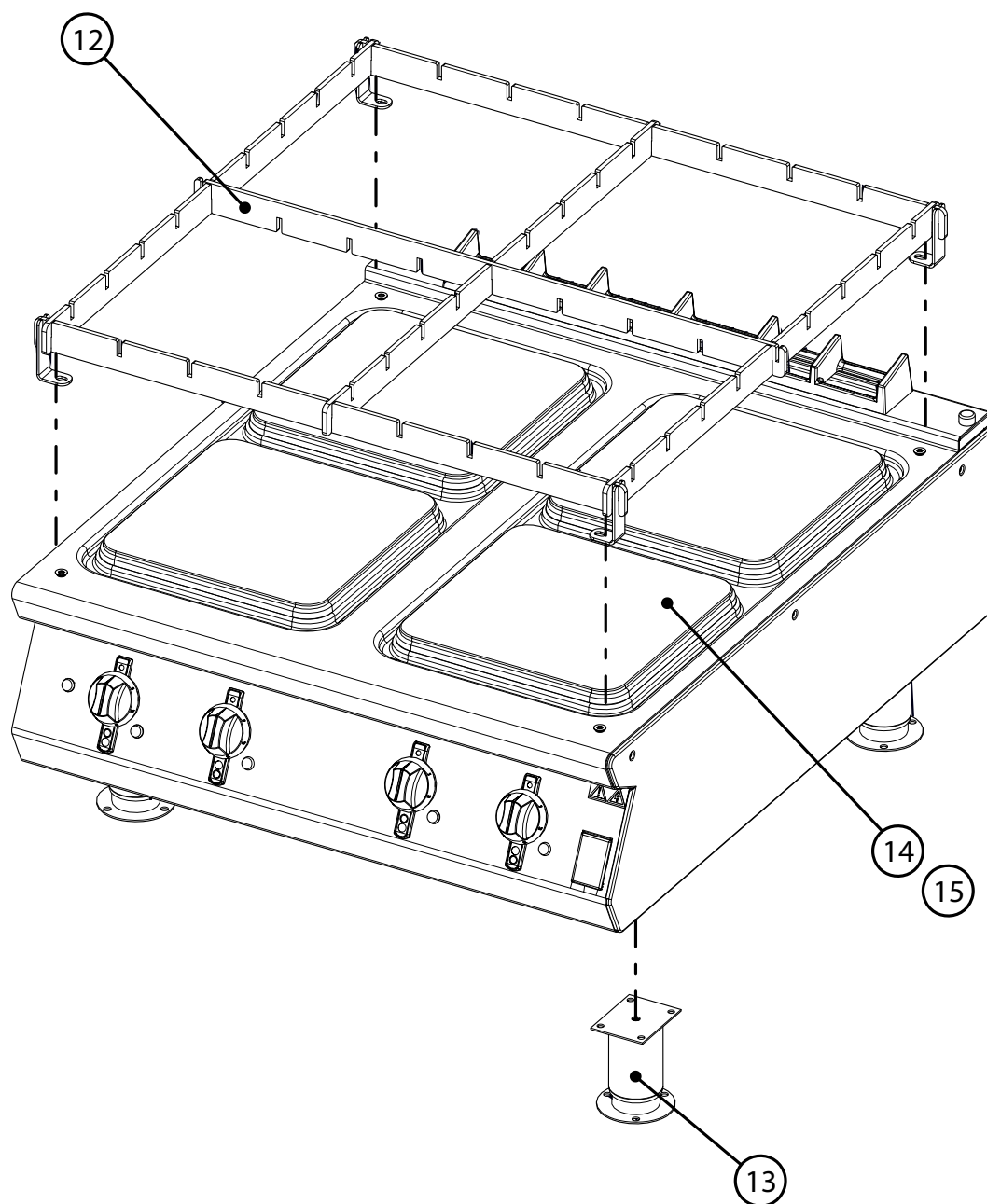
Spares

<u>Item</u>	<u>Description</u>	<u>Spares No.</u>	<u>Part No.</u>
11.	Storm rail	733400004	690210
12.	Adjustable foot	730870004	R6624
13.	4.4kW hotplate (400V)	733400005	RA9304
14.	4.4kW hotplate (440V)	733400006	RA9303

F900 SERIES

E9084 Boiling Top (Offshore)

Spares





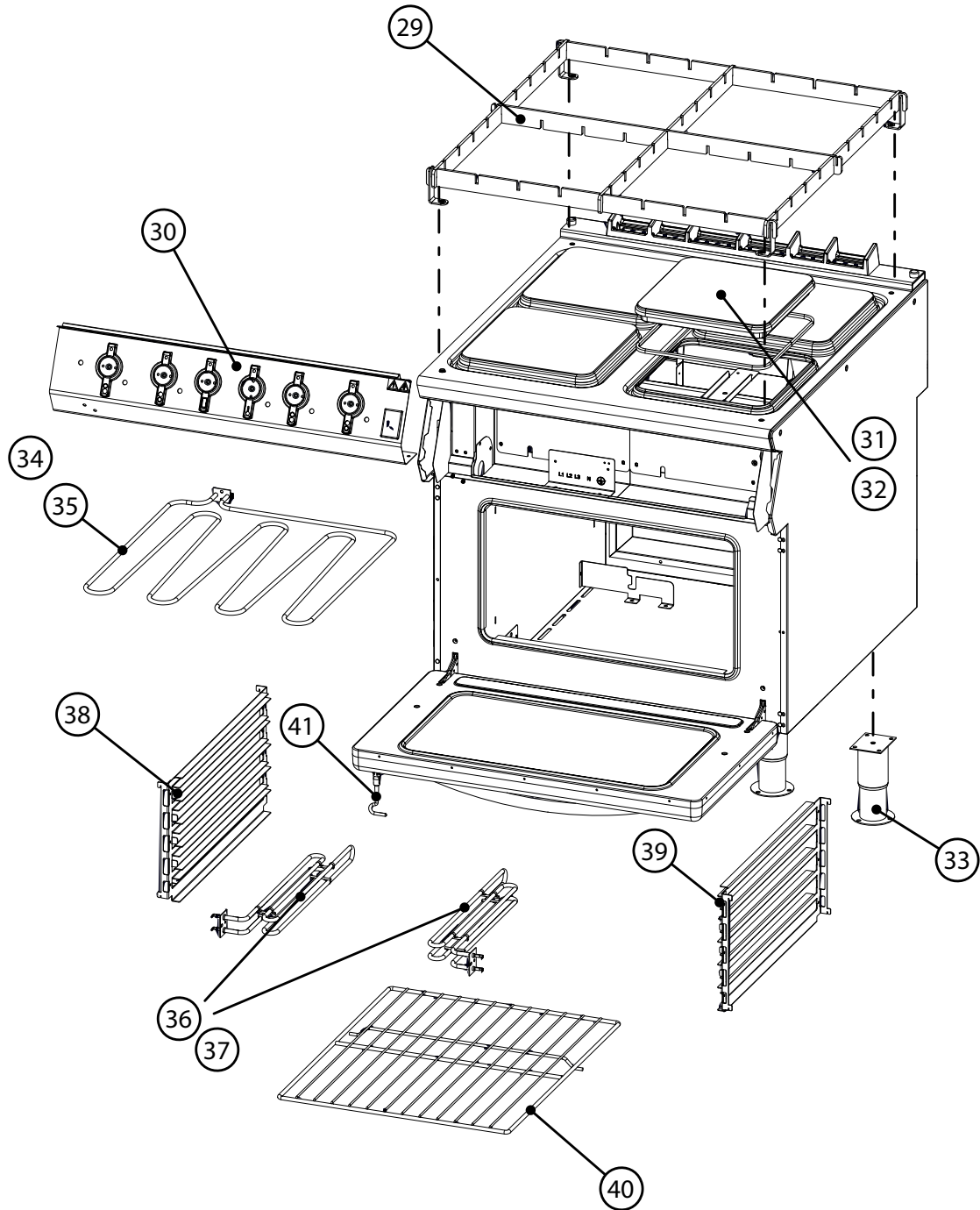
Spares

<u>Item</u>	<u>Description</u>	<u>Spares No.</u>	<u>Part No.</u>
12.	Storm rail	733440006	690200
13.	Adjustable foot	730870004	R6624
14.	4.4kW hotplate (400V)	733400005	RA9304
15.	4.4kW hotplate (440V)	733400006	RA9303

F900 SERIES

E9184 Four Hotplate Range (Offshore)

Spares





Spares

<u>Item</u>	<u>Description</u>	<u>Spares No.</u>	<u>Part No.</u>
29.	Storm rail	733440006	690200
30.	Control panel	733440004	690156
31.	4.4kW hotplate (400V)	733400005	RA9304
32.	4.4kW hotplate (440V)	733400006	RA9303
33.	Adjustable leg	730870004	R6624
34.	Oven top element (400V)	733440008	RA9309
35.	Oven top element (440V)	733440010	RA9310
36.	Oven bottom element (400V)	733440007	R972
37.	Oven bottom element (440V)	730962063	R797A
38.	Shelf hanger (LH)	733440014	690198
39.	Shelf hanger (RH)	733440015	690199
40.	Locking grid shelf (2/1)	733440013	RA9332
41.	Door catch	733440012	690201