

CATER-~~PREP~~

Heavy Duty Meat Grinder - Instruction Manual

Model: CK0853A



To avoid risk of accidents or damage to the appliance, it is essential to read these instructions before it is installed and used for the first time.

Caterkwik Ltd

The Lakeland Catering Centre
Newlands
Ulverston
Cumbria
LA12 7QQ

01229 480001

info@caterkwik.co.uk



Heavy Duty Meat Grinder - Instruction Manual

Precautions

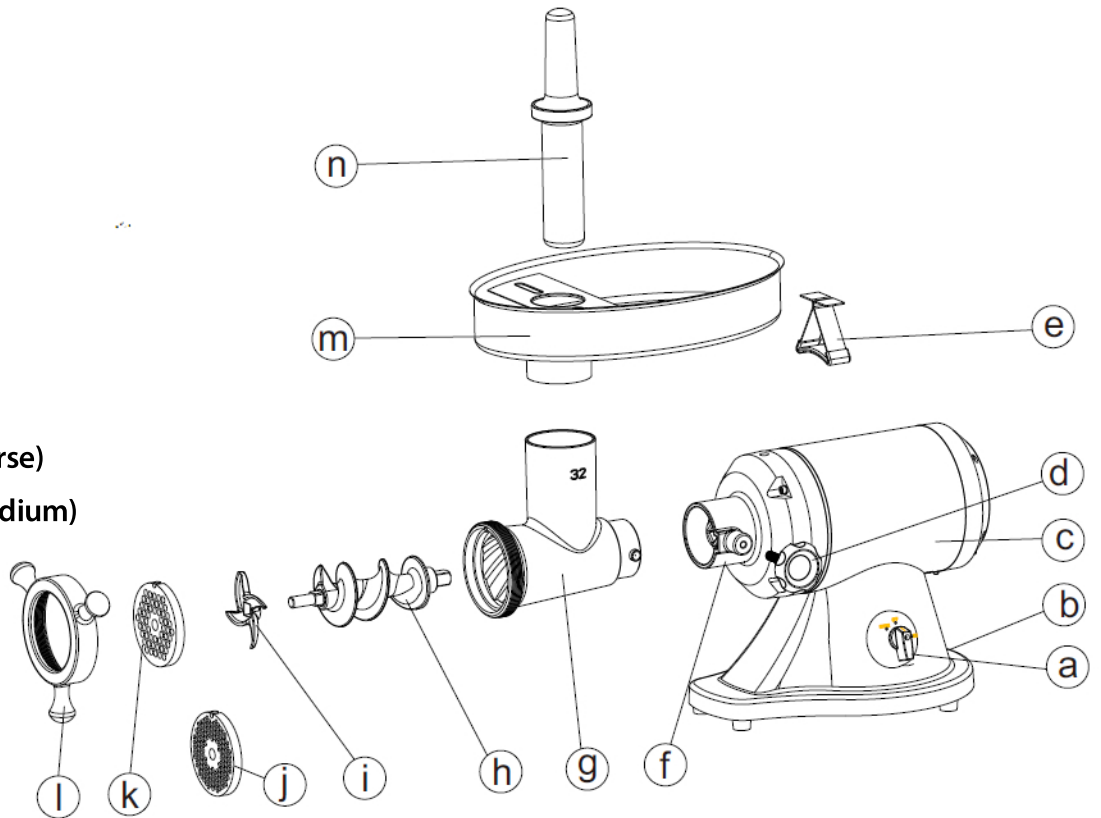


Before using the electrical appliance, the following precautions should always be followed:

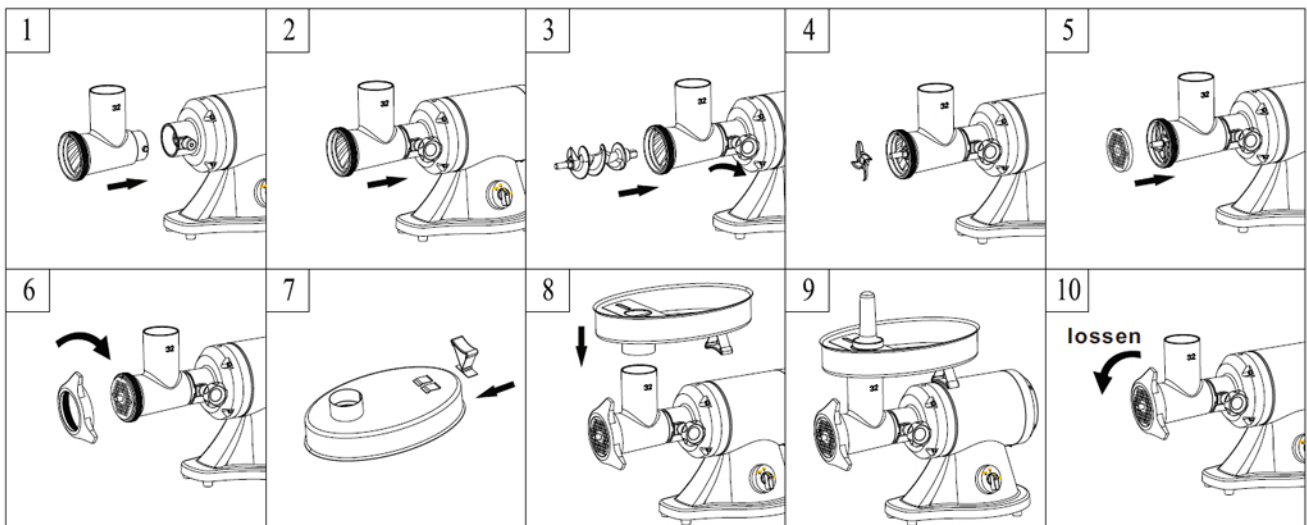
- Before use, check the voltage of the wall outlet corresponds to the one shown on the rating plate.
- Unplug from the outlet when not in use, before fitting or removing parts and before cleaning. Clean motor housing with damp cloth and wipe dry. Don't immerse in water or rinse.
- This appliance is not intended for use by persons (including children) with reduced physical, sensory or mental capabilities, or lack of experience or knowledge, unless they have been given supervision or instruction concerning use of the appliance by a person responsible for their safety.
- Close supervision is necessary for any appliance being used near children. Never leave children unattended near the appliance.
- Do not operate the appliance with a damaged supply cord or plug or if the product malfunctions, is dropped or damaged in any manner.
- Never reach into the feeding tube with your fingers or an object while the appliance is running. Only use the pusher for this purpose.
- Do not let the supply cord hang over the edge of a table or a worktop, or a hot surface.
- Make sure all the parts are correctly assembled and the locking knob is locked before you turn the appliance on.
- Switch the appliance off before changing any attachments or approaching parts that move.
- Keep your hands, hair, clothing or any other utensils away from the mincer during operation.
- The reverse function is prohibited while the appliance is in use. Wait at least 6 seconds until the appliance has completely stopped or it could result in damage to the appliance.
- Do not grind hard food or hard fibre foods such as bones or ginger.
- This appliance is equipped with a safety thermostat. If the motor overheats then the appliance will automatically. If this happens you should switch the appliance off and wait until it fully cools down. Once cool you can resume operation. It is recommend to be used for no more than one hour continuously.
- Do not clean the parts in a dishwasher.
- The appliance is equipped with over load protection. It will automatically switch off when overloaded. If this happens. Allow it to cool down for 30 minutes, then press the overload protection button on the bottom of the motor housing.



- a - Switch
- b - Reset button
- c - Motor
- d - Locking knob
- e - Hopper bracket
- f - Cover of gearing
- g - Head
- h - Feed screw
- i - Cutting blade
- j - Cutting plate (coarse)
- k - Cutting plate (medium)
- l - Screw cap
- m - Hopper plate
- n - Food pusher



Assembly





Assembly

1. Place the Head tightly onto the Cover of the Gearing of Motor.
2. Holding Head with one hand, tighten the Locking Knob clockwise.
3. Place Feed Screw into the Head, large end first, by turning the Feed Screw slightly until it is set into Motor and cover the transmission shaft.
4. Place the Cutting Blade onto the Feed Screw shaft with the blade facing forward as illustrated (on page 2).
If it is not fitted properly, the meat will not grind.
5. Place desired Cutting Plate next to the Cutting Blade, align the pin of the Head.
6. Screw Cap into place until tight. **Do no over tighten.**
7. Insert Hopper bracket into Hopper plate at the illustrated plate.
8. Place Hopper into Head with Hopper bracket on the motor.
9. Place Hopper Plate on Head and fix into position. Locate the unit on a firm place.
 - The air passage at the bottom and the side of the Motor Housing should be kept free and not blocked.
 - Cut the food into pieces so that they fit easily into the Hopper opening.

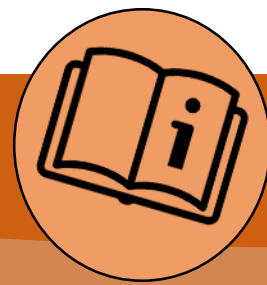
Plug in, then switch on.

10. Feed the food into the the Hopper Plate using the Food Pusher.
 - After use, switch off and unplug.

NOTE:

If minced meat is not discharged smoothly or in the form of paste then the cause could be:

1. Screw cap is too tight thus the cutting blade does not contact with the cutting plate. Re adjust it and try again.
2. The cutting plate is blocked. Unblock it and try again.
3. The cutting blade edges are blunt. Sharpen or replace them.



Technical Specification

Productivity	350 Kg/h
Speed of Blade	200rpm
Motor	Input Power 1.5HP
Power	1.1kW
Dimensions	542 x 268 x 372mm
Carton Dimensions	550 x 275 x 565mm
Gross Weight	30.5kg