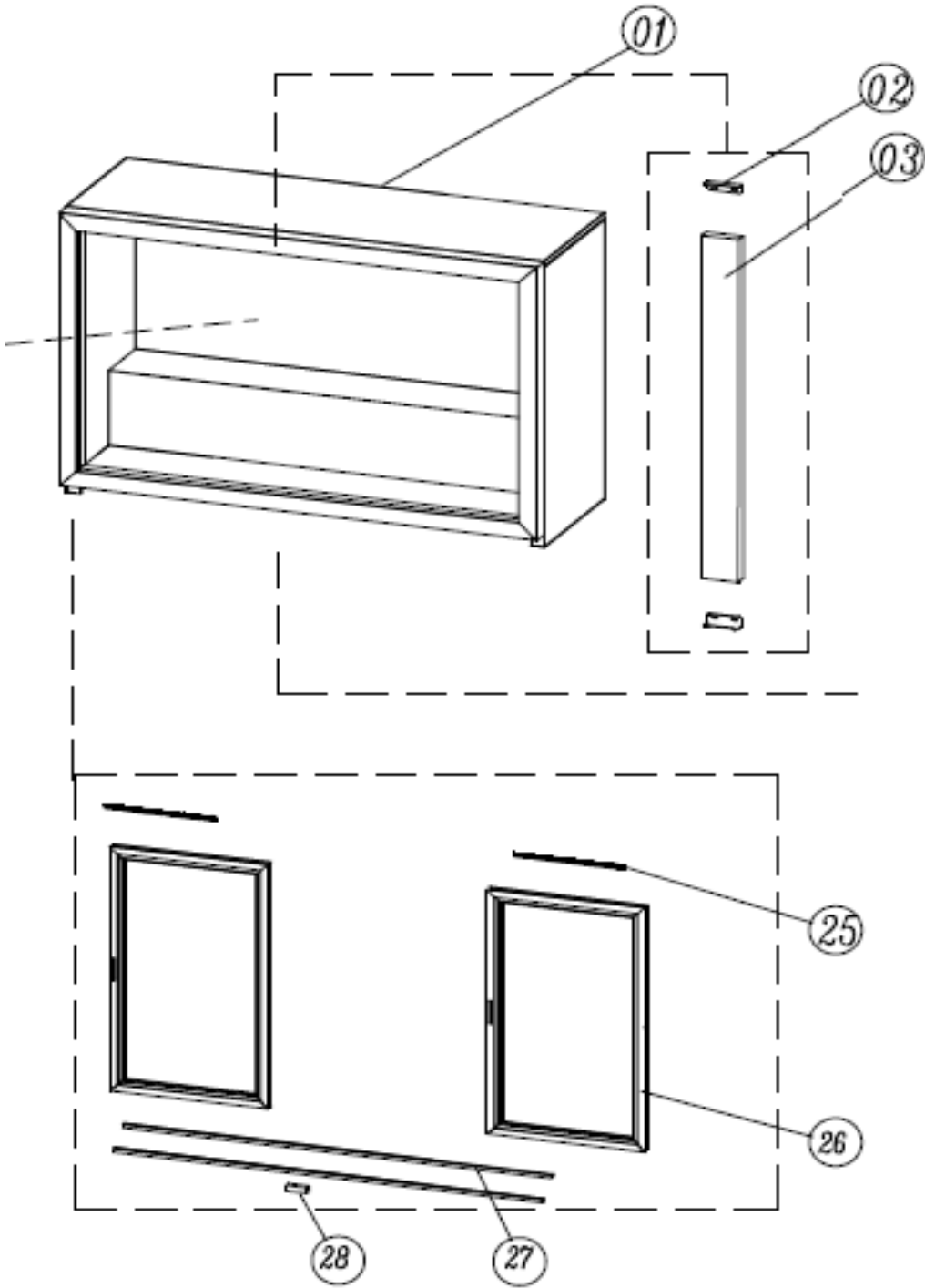


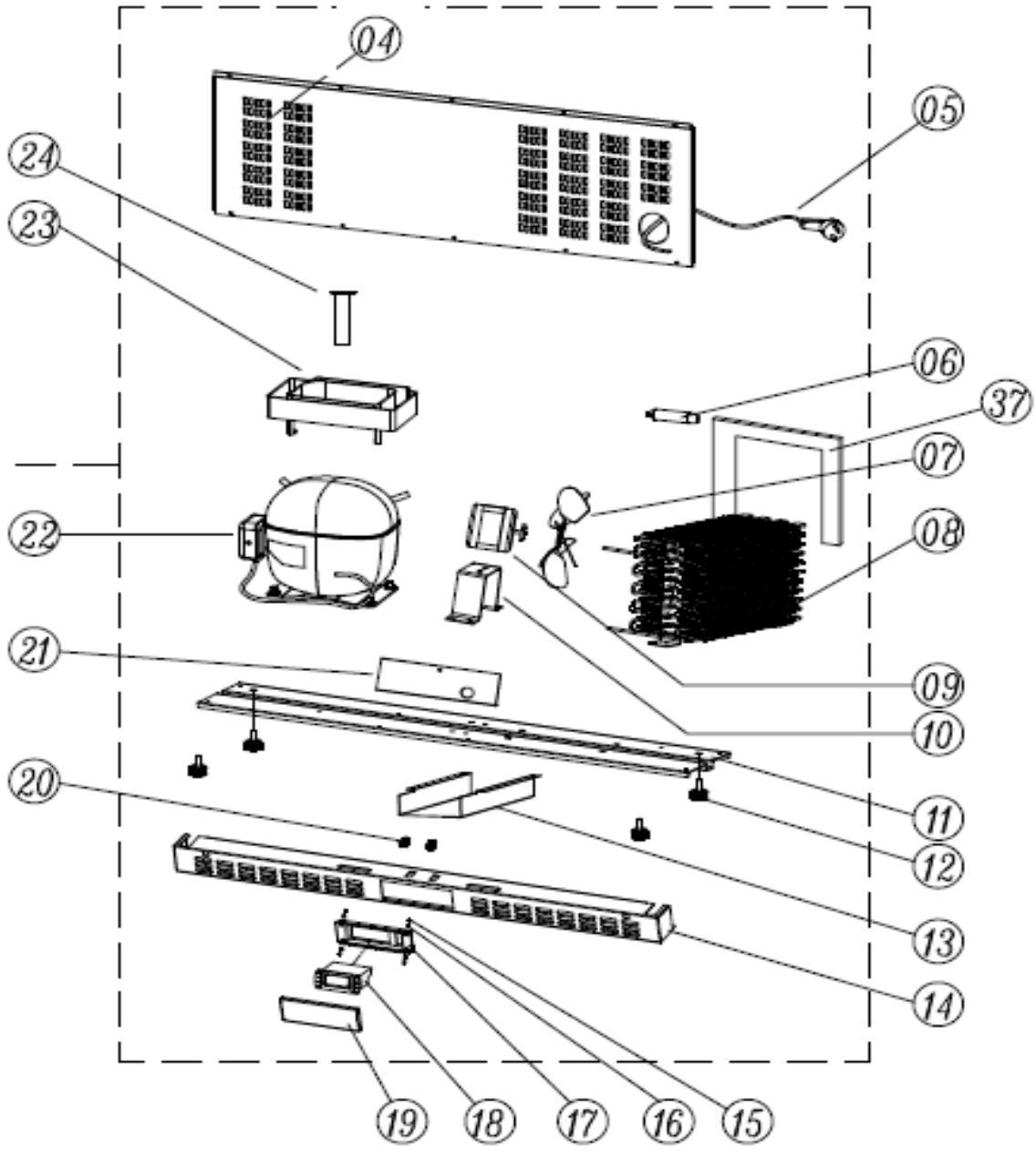
KBC2SL

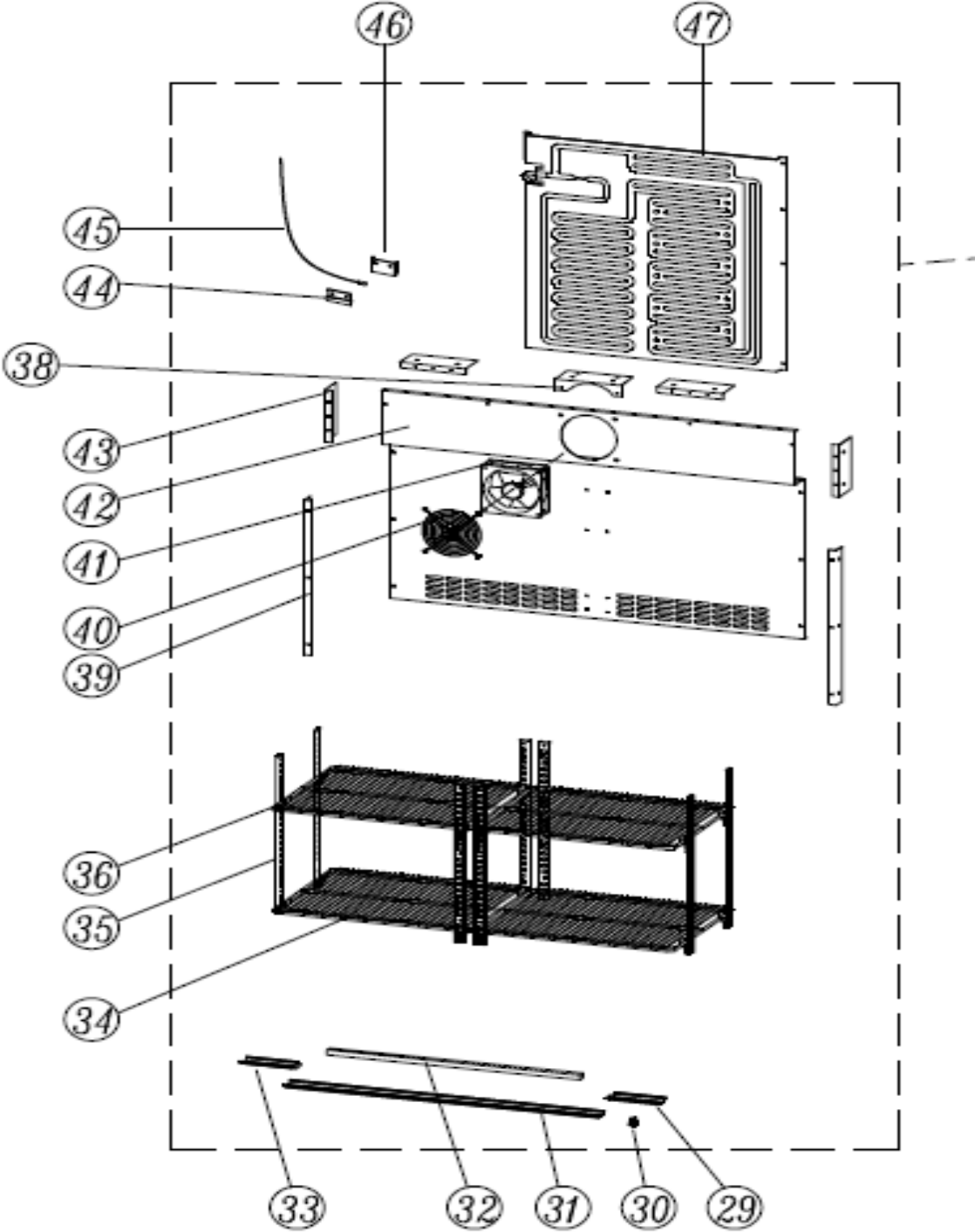
Exploded parts diagram

Sliding door image shown











Part Number	Number	Description	Qty
***	1	Cabinet	1
***	2	Mullion Fixings	2
***	3	Centre Mullion	1
***	4	Rear Grille	1
***	5	Plug Top	1
R4-DRIER20G	6	Drier	1
***	7	Fan Blade	1
K8-COND01	8	Condenser	1
***	9	Cond. Fan Motor	1
***	10	Cond Fan Motor Bracket	1
***	11	Bottom Unit Support Plate	1
K8-FOOT	12	Feet	4
***	13	Controller Tunnel	1
K8-PANEL02	14	Front Panel	1
***	15	Controller Clip Block	4
***	16	Controller Clip	4
***	17	Controller Box	1
K8-CONTROLLER	18	Controller	1
K8-COVER	19	Controller Cover	1
***	20	Door Support	2
***	21	Airflow Direction Baffle	1
K8-COMP02	22	Compressor	1
K8-DRIPTRAY	23	Vaporising Tray	1
K8-DRAIN	24	Drainpipe	1
K8-SPRING	25	Door Spring	2
K8-DOOR03/L	26	LH Door	1
K8-DOOR03/R	26	RH Door	1
K8-DOORGUIDE	27	Door Guide	2
K8-STOPPER	28	Door Stopper	2
K8-COVER/L	29	Light Cover Left	1
K8-SWITCH	30	Light Switch	1
K8-COVER02	31	Light Cover	1
K8-LED01	32	Light Strip	1
K8-COVER/R	33	Light Cover Right	1
K8-SHELF01	34	Shelf	2
***	35	Ladder Racks	8
K8-SHELFCLIP	36	Shelf Clips	16
***	37	Air Flow Plate	1
***	38	Evap. Fan Support	2
***	39	Evap. Support	2
***	40	Fan Guard	1

C5-AXIAL120MM	41	Evap Fan Motor	1
***	42	Evap Fan Panel	1
***	43	Short Support	4
***	44	Sensor Clamp	1
K8-PROBE	45	Air Sensor	1
***	46	Sensor Padding	1
K8-EVAP02	47	Evaporator	1

***** Please contact Spares for assistance *****