

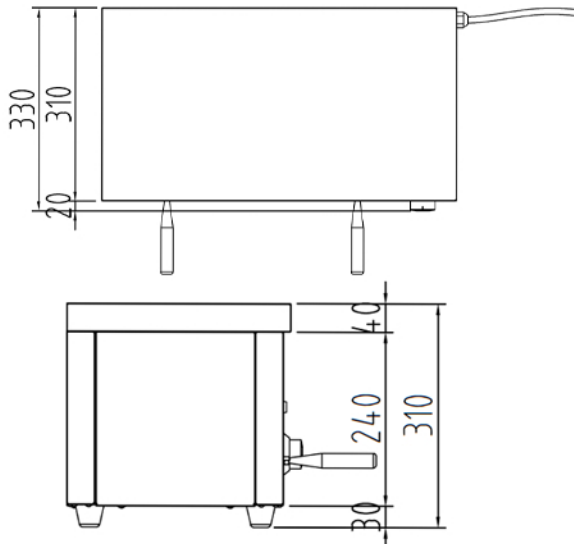
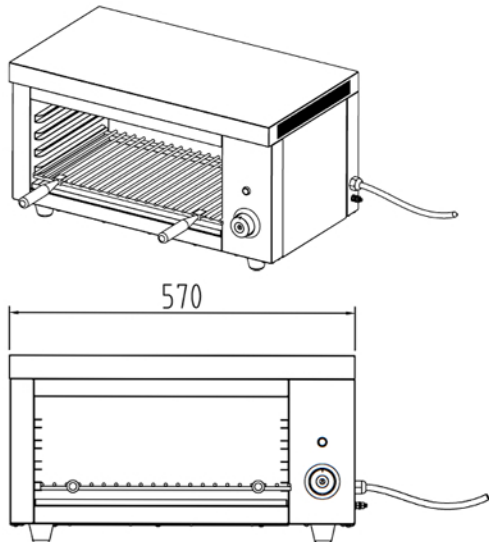


CK8936 Electric Salamander Grill - Specification



- Variable heat control.
- Power & temperature ready indicator.
- 4 adjustable grill heights.
- Easy to remove & clean waste tray.
- 13 amp plug in.

External Dimensions	W570 x D310 x H310mm
Internal Dimensions	W400 x D260 x H160mm
Packed Dimensions	W660 x D400 x H400mm
Electric Connection	230V/ 50Hz
Electric Load	2kW - 13 amp plug
Interior/ Exterior	Stainless Steel
Gross Weight	18kg
Net Weight	14.5kg



Caterkwik Ltd

The Lakeland Catering Centre
 Newlands
 Ulverston
 Cumbria
 LA12 7QQ

01229 480001

info@caterkwik.co.uk

