

washers

Safety Instructions 2, 3

Operating Instructions

Control Panels 4-9
Features 10,11
Loading and Using the Washer ... 12, 13
Cleaning the Washer 14-16

Installation Instructions 17-22

Preparing to Install Your Washer 17
Rough-In Dimensions 18
Location of Your Washer 18
Unpacking Your Washer 19
Drain Requirements 20
Electrical Requirements 20
Water Supply Requirements 20
Installing the Washer 21, 22

Troubleshooting Tips 23-26

**Owner's Manual &
Installation Instructions**

CK8518

Write the model and serial numbers here:


Model CK8518

Serial _____

You can find them on a label on the side of the washer.


Original instructions
10-14

Important Safety Information. Read all Instructions.


 This is the safety alert symbol. This symbol alerts you to potential hazards that can kill you or hurt you and others. All safety messages will follow the safety alert symbol and the word "DANGER", "WARNING", or "CAUTION". These words are defined as:

 **DANGER** Indicates a hazardous situation which, if not avoided, **will** result in death or serious injury.

 **WARNING** Indicates a hazardous situation which, if not avoided, **could** result in death or serious injury.

 **CAUTION** Indicates a hazardous situation which, if not avoided, **could** result in minor or moderate injury.

IMPORTANT SAFETY INSTRUCTIONS

 **WARNING** To reduce the risk of death, fire, explosion, electric shock, or injury to persons when using your appliance, follow basic precautions, including the following:

- Read the instruction manual before using the appliance.
- DO NOT wash or dry items that have been previously cleaned in, washed in, soaked in or spotted with gasoline, dry-cleaning solvents, or other flammable or explosive substances, as they give off vapors that could ignite or explode.
- DO NOT add gasoline, dry-cleaning solvents, or other flammable or explosive substances to the wash water. These substances give off vapors that could ignite or explode.
- Under certain conditions, hydrogen gas may be produced in a hot-water system that has not been used for 2 weeks or more. HYDROGEN GAS IS EXPLOSIVE. If the hot water system has not been used for such a period, before using a washing machine, turn on all hot-water faucets and let the water flow from each for several minutes. This will release any accumulated hydrogen gas. As the gas is flammable, DO NOT smoke or use an open flame during this time.
- DO NOT allow children to play on or in this appliance. Close supervision of children is necessary when this appliance is used near children. Before the washer is removed from service or discarded, remove the door or lid. Failure to follow these instructions may result in death or injury to persons.
- DO NOT reach into the appliance if the tub or agitator is moving to prevent accidental entanglement.
- DO NOT install or store this appliance where it will be exposed to the weather.
- DO NOT tamper with controls, repair or replace any part of this appliance or attempt any servicing unless specifically recommended in the user maintenance instructions or in published user repair instructions that you understand and have the skills to carry out.
- Keep the area around your appliance clean and dry to reduce the possibility of slipping.
- DO NOT operate this appliance if it is damaged, malfunctioning, partially disassembled, or has missing or broken parts including a damaged cord or plug.
- Unplug the appliance or turn off the circuit breaker before servicing. Pressing the **Power** button DOES NOT disconnect power.
- See "Electrical Requirements" located in the Installation Instructions for grounding instructions.
- This appliance is not intended for use by persons (including children) with reduced physical, sensory or mental capabilities, or lack of experience and knowledge, unless they have been given supervision or instruction concerning use of the appliance by a person responsible for their safety. Children should be supervised to ensure that they do not play with appliance.
- If the supply cord is damaged, it must be replaced by the manufacture, its service agent or similarly qualified persons in order to avoid a hazard.
- The new hose-sets supplied with the appliance are to be used and that old hose-sets should not be reused.
- This appliance is for indoor use only.
- The openings must not be obstructed by a carpet.

INSTALLATION



This washer must be properly installed and located in accordance with the Installation Instructions before it is used.

- Ensure the cold water hose is connected to the “C” valve.
- Install or store where it will not be exposed to temperatures below freezing or exposed to the weather, which could cause permanent damage and invalidate the warranty.
- Properly ground washer to conform with all governing codes and ordinances. Follow details in Installation Instructions.

WARNING - Electrical Shock Hazard

Plug into a grounded 3 prong outlet.

DO NOT remove ground prong.

DO NOT use an adapter.

DO NOT use an extension cord.

Failure to do so can result in death, fire or electrical shock.

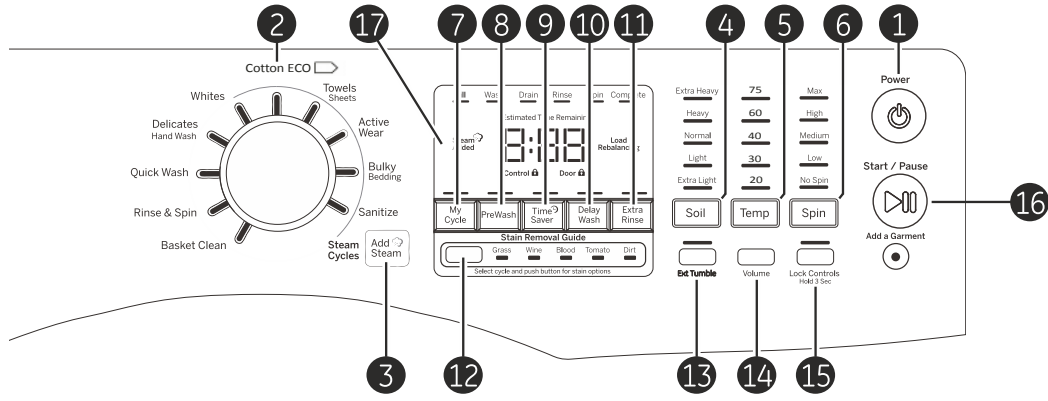
WHEN NOT IN USE



- Turn off water faucets to minimize leakage if a break or rupture should occur. Check the condition of the fill hoses; We recommends changing the hoses every 5 years.

SAVE THESE INSTRUCTIONS

About the washer control panel.



Control Panel

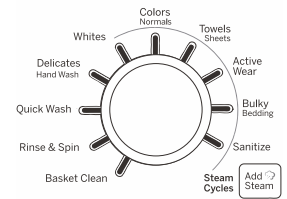
Quick start



1 Press the power button.



2 Select a wash cycle. (Defaults are set for each cycle. These default settings can be changed. See control settings for more information.)



3 Press the start/pause button.



1

Power: Press to 'turn on' the display. If the display is active, press to put the washer into stand by mode.

This does not disconnect the appliance from the power supply.

2






Wash cycles: The wash cycles are optimised for specific types of wash loads.

The chart below will help you match the wash setting with the wash loads.

| | |
|-----------------|--|
| Cotton ECO* | Normal to heavily soiled towels, under ware, table and bed linen etc. Made of cotton and linen. |
| Whites* | For heavily to lightly soiled white laundry. |
| Bulky/ Bedding* | For large items such as comforters, blankets, small rugs and similar bulky items. |
| Active Wear* | For active sports, exercise and some casual wear clothes. Fabrics include modern technology finishes and fibres such as stretch and micro-fibres. |
| Sanitize* | For increased water temperature which will sanitize and kill more than 99.9% of common bacteria found in home laundry. For the best results select the heavy soil setting when using the sanitize cycle. |
| Towels/ sheets* | For items such as towels, sheets pillowcases and dish rags. |
| Delicates/ Hand | For items labelled 'hand-washable' that are lightly soiled. Provides gentle tumbling and soak during wash wash and rinse. |
| Quick wash | For lightly soiled items that are needed in a hurry. Cycle time is approx 50 minutes, depending on selected options. |
| Rinse & spin | To quickly rinse and spin out any items at any time. To achieve a drain and spin, deselect the 'extra rinse' option. |
| Basket clean | Use for cleaning the basket of the residue and odour. Recommend to use at least once per month. NOTE: Never load the laundry while using basket clean. The laundry may get damaged. |

*The add steam option can be used with these.

Control settings

| | | | |
|-------|---|---|--|
| 3 |  | Add Steam | To use: |
| | | Add steam adds steam into the washer to assist with loosening stains on the whites, colours/ Normal, towels/ sheets, Active wear, bulky bedding or sanitize cycles. | <ol style="list-style-type: none">1. Turn power ON and select a wash cycle.2. Select the Add steam.3. Press the start/ pause button. |
| <hr/> | | | |
| 4 |  | Soil | To change the soil level , press the soil level button until you have reached the desired setting. You can choose between Extra Light, Light, Normal, Heavy or Extra Heavy soil levels. |
| | | Change the soil level to increase or decrease the wash time to remove different amounts of soil. | |
| <hr/> | | | |
| 5 |  | Temperature | To change the wash temperature , press the wash temp button until you have reached the desired temperature setting. You can choose between 20 , 30, 40, 60 & 75°C. Not all temperatures are available for certain washes to protect the fabric. |
| | | Adjust to select the the desired water temperature for the wash cycle. The prewash rinse water is always cold to help reduce energy usage and to reduce the setting of stains and creases. | |
| | | <i>Follow the manufacturers care label when selecting the wash temperature.</i> | |
| <hr/> | | | |
| 6 |  | Spin | To change the spin speed , press the spin button speed button until you have reached the desired setting. You can choose between No Spin, Low, Medium, High or Maximum spin. High spin speeds are not available on some cycles such as Delicates . Higher spin speeds remove more water |
| | | Changing the spin speed changes the final spin speed of the cycles. Always follow the garments manufacturers care label when changing the spin speed. | |
| <hr/> | | | |
| 7 |  | My Cycle | NOTE: When using My Cycle, wash options cannot be modified after the cycle has been started. NOTE: If you change the wash options with my cycle before starting the cycle, the my cycle light will turn off and you will turn off and you will return to the base cycle. |
| | | To save a favourite cycle, set the desired settings for wash cycle, soil level, spin speed and wash temp setting and hold down the my cycle button for 3 seconds. A beep will sound to indicate cycle has been saved. | |
| | | To use your custom cycle, press the my cycle button before washing the load. | |
| | | To change the saved cycle, set the desired settings and hold down the my cycle button for 3 seconds. | |

8



Pre Wash

Prewash is an extra wash before the main wash. Use it for heavily soiled clothes or for clothes with a care label that recommends pre washing before washing. Be sure to add liquid or powder high-efficiency detergent, or the proper wash additive to the pre wash dispenser.

Pre wash must be selected prior to pressing start.

The prewash feature will fill the washer with cold water (adding the prewash detergent), tumble the clothes, drain and spin. Then the washer will run the selected wash cycle.

9



Time saver:

Use this option to reduce the overall wash cycle by at least 5% without reducing wash performance. This feature is available on all cycle except. **Basket clean, sanitize, Rinse + spin and quick wash.**

This option will modify the wash cycle, slightly raising the wash temperature and using more water to deliver equal wash performance as the basic. All other features, such as Extra rinse, add steam, etc, can be used with time saver but may adjust the total wash time.

To use:

1. Turn power on and select a wash cycle which has time saver as an option.
2. Make any adjustments to Soil, Temp and Spin as desired.
3. Press the time saver button to reduce the overall wash time.
4. Press the start/ pause button.

10



Delay Wash

You can delay the start of a wash cycle for up to 24 hours. Press the **delay wash** button to choose the amount of time you want to delay the start of the wash cycle. Once the desired time is reached, press the start button. The machine will count down and start automatically at the correct time.

NOTE: If you forget to fully close the door, a reminder signal will beep reminding you to do so.

NOTE: If you open the door when the delay is counting down, the machine will enter the pause state. You must close the door and press start again in order to restart the countdown.

11



Extra Rinse

This option allows for an extra rinse during a cycle to remove excess dirt and detergent from soiled loads.

A drain and spin cycle can be achieved by pressing the extra rinse button until the light is no longer illuminated.

Control Settings



12 Stain Removal Guide

The stain removal guide is pre-programmed with the ideal wash and rinse settings to tackle five common stains. To use this feature, select the desired wash cycle and then press the stain removal guide button until the stain you want to remove is highlighted. Once selected, press the start button to start the cycle.

For some stains, a prewash will be selected automatically. Be sure to add liquid or power high efficiency detergent or proper wash additive to the prewash dispenser.

Add steam cannot be selected when the stain removal guide is used.



Ext Tumble

Extended tumble

Freshly tumbles your garments periodically for up to 8 hours after the wash cycle is complete to lessen the setting of wrinkles and creases when you are not able to move clothing to the dryer straight away.

At the end of the cycle, the display will scroll "END" and after ten minutes the extend tumble will begin. It can be stopped at any time by pressing the power button.

NOTE: The extended tumble option cannot be added to the my cycle feature.



Volume

Volume

This button has two functions.

- To change the volume of the of cycle signal, press the button as many times as needed to reach the desired volume. There are four sound levels including OFF.

- To turn the button sounds ON/OFF, press and hold the button for 3 seconds.



15

Lock Controls
Hold 3 Sec

Lock controls

You can lock the controls to prevent any selections from being made. Or you can lock the controls after you have started a cycle.

Children cannot accidentally start the washer cycles by touching the buttons with this option selected.

To lock the washer, press and hold the lock controls button for 3 seconds.

To unlock the washer controls, press and hold the lock controls for 3 seconds.

A sound is made to indicate the lock/ unlock status.

The indicator light above the button will illuminate when the controls are locked.

NOTE The power button can still be used when the machine is locked.

16



Start/ Pause- Add A Garment

Press to start a wash cycle. If the washer is running, pressing it once will pause the washer and unlock the door. It will take a few seconds for the door to unlock. Press the pause button again to restart the wash cycle.

Note: If the washer is paused and the cycle is not restarted within 15 seconds minutes, the current wash cycle will be cancelled.

Note: In some cycles the washer will drain first, then unlock the door when it is paused.

Note: The washer performs an automatic system check after the start button is pressed. Water will flow into the machine for 45 seconds or less. You will then hear the door lock and unlock before the water flows. This is normal.

17



Display

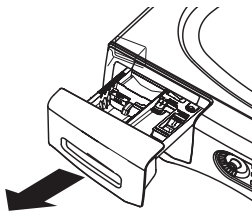
Displays the approximate time remaining until the end of the cycle.

Note: The cycle time is affected by your water pressure and the balance of the wash load in the washer. You may see the time remaining on the display increase to accommodate a lower spin speed to handle unbalanced loads.

Cycle status is also displayed and certain features such as delay wash or steam are shown indicating they have been selected.

About the washer feature

The dispenser drawer

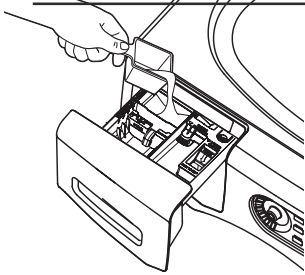


Slowly open the dispenser drawer by pulling it out until it stops.

After adding detergents, close the dispenser drawer.

You may see water in the dispenser drawer at the end of the cycle. This is a result of flushing/ siphoning action and is part of the normal operation of the washer.

The Prewash Compartment



- Only use the prewash compartment if you are selecting the prewash cycle for heavily soiled clothes. Add measured detergent or prewash additive to the back left prewash compartment of the dispenser drawer.
- Detergent or prewash additive is flushed from the dispenser into the prewash cycle.

Note: Liquid detergent will drain into the washer drum as it is added.

- Detergent usage may need to be adjusted for water temperature, water hardness, size and soil level of the load. Avoid using too much detergent in your washer as it can lead to over sudsing and detergent residue being left on clothes.

The Detergent Compartment

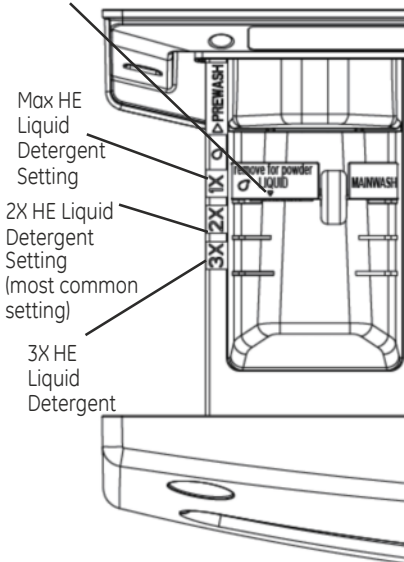
• Liquid Detergent

Locate the concentration of your detergent on the bottle. Place the detergent selection insert in the corresponding location depending on the concentration.

- Detergent usage may need to be adjusted for water temperature, water hardness, size and soil level of the load. Avoid using too much detergent in your washer as it can lead to oversudsing and detergent residue being left on the clothes.

- Using more detergent than the recommended quantity can cause residue build up on your washer.

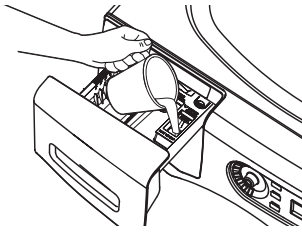
Remove for powder detergent



- High efficiency detergent is required for the washer. Use the detergent manufacturers recommended amount.
- Add measured detergent to the front left detergent compartment of the dispenser drawer.
- Detergent is flushed from the dispenser at the beginning of the wash cycle. Either powdered or liquid detergent can be used.

• Powdered detergent

Remove the detergent section insert and it in a safe location outside the of the washer. Follow the detergent manufacturers instructions when measuring the amount of powder to use.



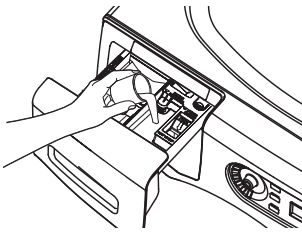
The Liquid Bleach Compartment

IMPORTANT: Be sure to identify the correct compartment for bleach before using.

If desired, measure out the recommended amount of liquid bleach, not to exceed 1/3 cup (80ml) and pour into the right compartment labelled "LIQUID BLEACH".

Do not exceed the maximum fill line. Overfilling can cause early dispensing of the bleach which could damage the clothes.

Note: Do not use powdered bleach in the dispenser.



The Fabric Softener Compartment

IMPORTANT: Be sure to identify the correct compartment for fabric softener before using.

If desired, pour the recommended amount of liquid fabric softener into the compartment labelled "Fabric Softener".

Use only liquid fabric softener in the dispenser.

Dilute with water to the maximum fill line.

Do not exceed the maximum fill line. Overfilling can cause early dispensing of the fabric softener which could stain clothes.

Note: Do not pour fabric softener directly on the wash load.

Loading and using the washer.

Always follow the fabric manufacturers care label when laundering.



Sorting Wash Loads

Sort laundry into loads that can be washed together.

| Colour | Soil | Fabrics | Lint |
|--------|--------|----------------|-----------------|
| Whites | Heavy | Delicates | Lint Producers |
| Lights | Normal | Easy Care | Lint Collectors |
| Darks | Light | Sturdy Cottons | |

- Combine large and small items in a load. Load large items first. This should not be more than half the total wash load.
- Washing single items is not recommended. This may cause an out of balance load. Add one or two smaller items.
- Pillows and duvets should not be mixed with other items. This may cause an out of balance load.



- Fire Hazard

Never place items in the washer that are dampened with gasoline or other flammable liquids.

No washer can completely remove oil.

Do not dry anything that has ever been had any type of oil on it (including cooking oils)

Doing so can result in death, explosion of fire.

Preparing Clothes

- To avoid snags during wash:

Follow these steps to maximise garment care.

- Close garment zippers, snaps, buttons and hooks.
- Mend seams, hems and tears.
- Empty all items from pockets.
- Remove non washable garment accessories such as ornaments and non washable trim materials.
- To avoid tangling, tie strings, draw ties and belt like materials.
- Brush away surface dirt and lint; treat spots and stains.
- Promptly wash wet or stained garments to maximise results.
- Use nylon mesh garment bags to wash small items.
- Wash multiple garments at one time for best results.



Loading the Washer

Wash drum may be fully loaded with loosely added items. Do not wash fabrics containing flammable materials (waxes, cleaning fluids, etc)

The add items after washer has started, press start and wait until the door is unlatched. The washer may take up to 30 seconds to unlock the door after pressing start depending on the machine conditions. Do not try to force the door open when it is locked. After the door unlocks, open gently. Add items, close the door and then press start to restart the wash cycle.

Cleaning the washer.

Care and Cleaning



Exterior: Immediately wipe all spills. Wipe with a damp cloth.

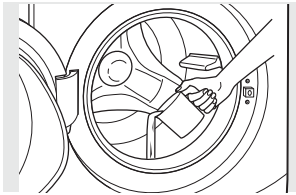
Moving and Storage: Ask the service technician to remove water from drain pump and hoses. Do not store the washer where it will be exposed to the weather. When moving the washer, the tub should be kept stationary by using the shipping bolts removed during installation. See installation instructions in this book.

Long Vacations: Be sure the water supply is turned off at the faucet. Drain all water from the hoses if the weather will be below freezing.

Interior

To clean the interior of the washer, select the basket clean feature on the control panel. This basket clean cycle should be performed, at a minimum of once per month. This cycle will use more water, in addition to bleach, to control the rate at which soils and detergents may accumulate in your washer.

Note: Read the instructions completely before starting the basket clean cycle.



1. Remove any garments or objects from the washer and ensure the washer basket is empty.
2. Open the washer door and pour one cup of 250ml of liquid bleach or other washing machine cleaner into the basket.
3. Close the door and select the basket clean cycle. Push start.
4. When the basket clean is working the display will show the estimated cycle time remaining. The cycle will complete in about 90 minutes. Do not interrupt the cycle.
5. After the cycle is complete, leave the door open slightly for better ventilation.

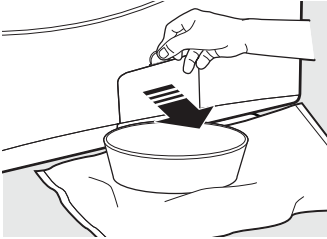
If for any reason the cycle needs to be interrupted, the door will not open immediately. Forcing the door open at this stage will cause water to flood out. The door will open after the water is drained to below the door level.

Basket clean may be interrupted by pressing the start button in between cycles. A power cut might also interrupt the cycle. When the power supply is back, the basket the basket cycle will resume.

When interrupted, be sure to run a complete basket clean cycle before using the washer. If the power button is pressed during basket clean the cycle will be lost.

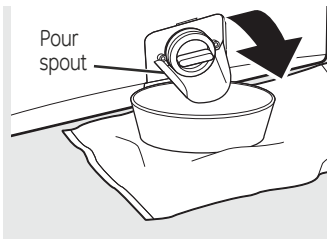
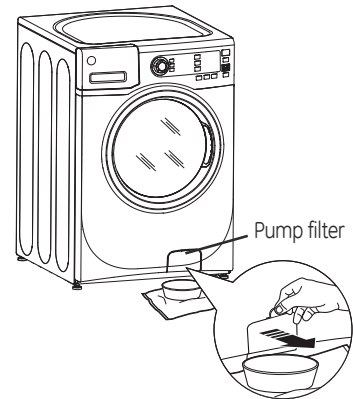
Important

- Run basket with 1 cup (250ml) of bleach once a month.
- After completion of a basket clean cycle, the interior of your washer may have a smell of bleach.
- It is recommended to run a light colour load after basket clean cycle.

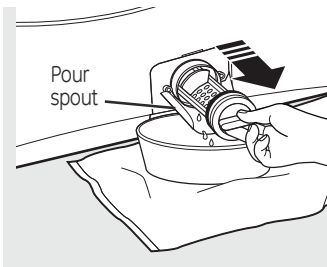


Cleaning the Pump Filter

Small items can sometimes pass into the drain pump. The washer has a filter to capture lost items so they are not dumped into the drain causing the drain to block. Clean out the filter pump:



1. Using a coin or flat screwdriver in the notch on the door, open the access of the door.
2. Place a shallow pan or dish under the pump access door and towels on the floor in front of the washer to protect the floor. It is normal to catch about a cup full of water when the filter is removed.



3. Pull down the pour spout.
4. Turn the pump filter counter clockwise and remove the filter. Open slowly to allow the water to drain.
5. Clean the debris from the filter.
6. Replace the filter and turn clockwise tighten securely.



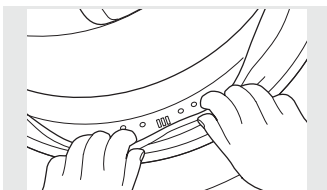
7. Flip up the pour spout.
8. Close the access door.



Cleaning the Door Gasket

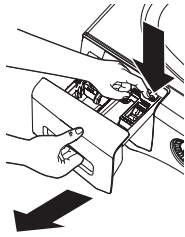
Open the washer door. Using both hands, press down the door gasket. Remove any foreign objects if found trapped inside the gasket. Make sure there is nothing blocking the holes behind the gasket.

When you are finished cleaning the door gasket, remove your hands and the gasket will return to the operating position.



While holding down the door gasket, inspect the interior gasket by pulling it down with your fingers. Remove any foreign objects if found trapped inside this gasket. Make sure there is nothing blocking the holes behind the gasket.

Cleaning the washer.

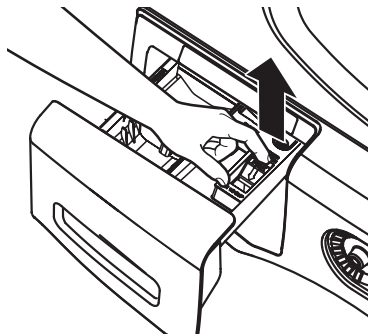


Lock tab is visible only after drawer has been pulled open

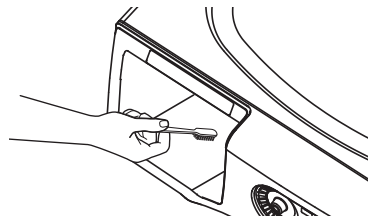
Dispenser Drawer Area:

Detergent and fabric softener may build up in the dispenser drawer. Residue should be removed once or twice a month.

Remove the drawer by pulling it out until it stops. Then reach back into the right rear corner of the drawer cavity and press down firmly on the lock tab, pulling out the drawer.



Remove the inserts from the bleach and fabric softener compartments and the detergent insert. Rinse the inserts and the drawer with hot water to remove traces of accumulated laundry products.



Use a small brush to clean the drawer. Remove all residue from the upper and lower parts of the drawer.

Return inserts to the proper compartments. Replace the dispenser drawer.

Installation Instruction

Before You Begin

Read these instructions completely and carefully

Important - Save these instructions for local inspector use.

Important - Observe all governing codes and ordinance.

Note to installer: Be sure to leave these instructions with the user.

Note to user: Keep these instructions for future reference.

Skill level: Installation of this appliance requires basic mechanical and electrical skills.

Completion time: 1-3 hours.

Product failure due to improper installation is not covered under the warranty.

Washer

Tools Required

- Adjustable wrench or ½" socket with ratchet.
- Adjustable wrench or 9/16" open-end wrench.
- Channel-lock adjustable pliers.
- Level.

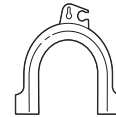
Parts Required

- Water Hoses (1)



Parts Supplied

- Cable Tie.
- Hose Guide.



For Your Safety

Warning

- The appliance must be properly grounded and installed as described in these installation instructions.
- Do not install or store the appliance in an area where it will be exposed to water or wet weather. See the location of your washer section.
- Note: this appliance must be properly grounded, and electrical service to the washer must conform with requirements.

Installation Instructions

Location of your washer

Do Not Install the Washer

1. In an area exposed to dripping water or outside weather conditions. The ambient temperature should never be below 60°F (15.6°C) for proper washer operation.
2. In an area where it will come in contact with contact with curtains or drapes.
3. On carpet. The floor MUST be a hard surface with a maximum slope of 1/2" per foot. (1.27cm per 30cm). To make sure the washer does not vibrate or move, you may have to reinforce the floor.

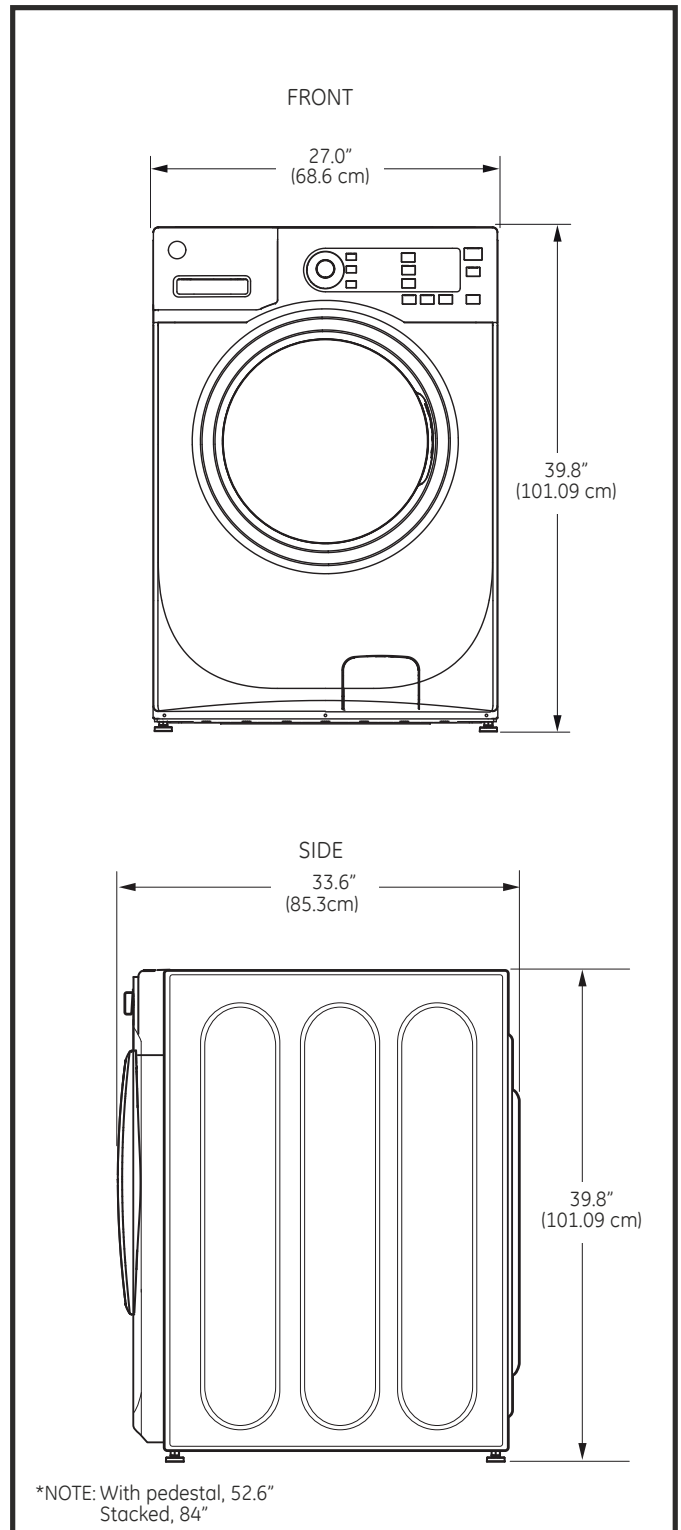
Note: If the floor is in poor condition, use 3/4" plywood sheet solidly attached to the existing floor covering.

Important

Minimum Installation Clearances

- When installed in alcove: Side, rear, top = 0" (0cm)
- When installed in closets/ cupboards: Side, rear and top = 0" (0cm) Front = 1" (2.54 cm)
- Closet door ventilation openings required: 2 louvers each square in. (384cm), located 3" (7.6cm) from top and bottom of the door.

ROUGH-IN DIMENSIONS



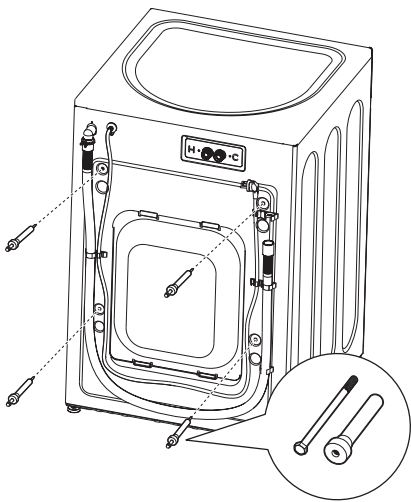
Installation Instructions

Unpacking the Washer

Warning:

Recycle or destroy the carton and plastic bags after the washer is unpacked. Make materials inaccessible to children.

1. Cut and remove the top and bottom packaging straps.
2. While it is in the carton, carefully lay the washer on it's side. DO NOT lay washer on the front or the back.
3. Turn down the bottom flaps remove all base packaging, including the cardboard, polystyrene base and polystyrene tub support (inserted in centre of base).
4. Note: if you are installing a pedestal, proceed to the installation instructions that come with the pedestal.
5. Carefully return the washer to an upright position and remove the carton.
6. Carefully move the washer to within 4 feet (122cm) of the final location.
7. Remove the following from the back side of the washer:
 - 4 bolts
 - 4 plastic spacers (including rubber grommets)
 - 4 power cord retainers.



Note: Failure to remove the shipping braces can cause the washer to become seriously unbalanced

Note: Failure to remove the shipping bolts can cause the washer to become severely unbalanced.

Save all bolts for future use.

Note: If you must transport the washer at a later date, you must reinstall the shipping support hardware in the plastic bag provided.

Installation Instructions

Electrical Requirements

Read these instructions completely & carefully

Warning

To reduce the risk of fire, electric shock and personal injury:

Do not use an extension cord or an adaptor plug with this appliance.

Washer must be electrically grounded in accordance with local requirements.

Circuit - Individual, properly polarized and grounded 16amp branch circuit fused with 16amp delay fuse or circuit breaker.

Power supply- 2 wire, with ground, 220-240v single phase, 50 Hz, alternating current.

Outlet receptacle - Properly grounded receptacle to be located so the power supply cord is accessible when the washer is installed into position.

Grounding Requirements



Warning

Improper connection of the equipment grounding conductor can result in the risk of an electric shock. Check with a licensed electrician if you are in doubt as to whether the appliance is properly grounded.

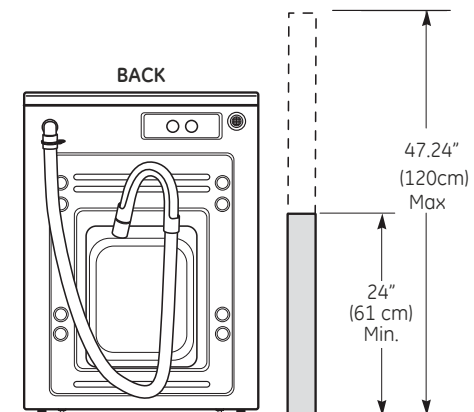
1. The washer MUST be grounded. In the event of a malfunction or breakdown, grounding will reduce the risk of an electric shock by providing a path of least resistance for electrical current.
2. Since your washer is equipped with a power supply cord having an equipment-grounding conductor and a grounding plug, the plug must be plugged into an appropriate, copper wired receptacle that is properly installed and grounded in accordance with local requirements. If in doubt call an electrician. DO NOT cut off or alter the grounding prong on the power supply cord. In situations where a two slot receptacle is present, it is the owners responsibility to have a licensed electrician to replace it with a properly grounded grounding-type receptacle.

Water Supply Requirements

Cold water faucet MUST be installed within 42 inches (107cm) of your washers water inlet. The faucet MUST be 3/4" (1.9cm) BSP inlet hose. Water pressure must be between 10 and 120 pounds per square inch. You water department can advise you of your water pressure.

Drain Requirements

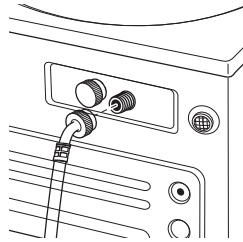
1. Drain capable of eliminating 64, 3L per minute.
2. A standpipe diameter of 1 01/4" (3.18cm) minimum.
3. The standpipe height above the floor should be;
Minimum height: 24" (61cm)
Maximum height: 47,24" (120cm)



Installation Instructions

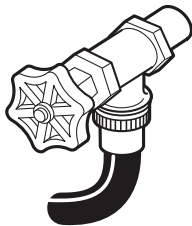
Installing the Washer

1. Run some water from the cold faucet to flush the water lines and remove particles that might clog up the inlet hose.
2. Ensure there is a rubber washer in the hoses. Reinstall the rubber washer into the hose fitting if it has fallen out during shipment. Carefully connect the other inlet hose to the inside "C" outlet of the water valve. Tighten by hand then tighten another 2/3 turn with pliers.

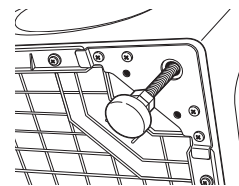


Do not cross thread or over tighten these connections

3. Connect the inlet hose ends to the COLD water faucets tightly by hand, then tighten another 2/3 turn with pliers. Turn the water on and check for leaks.



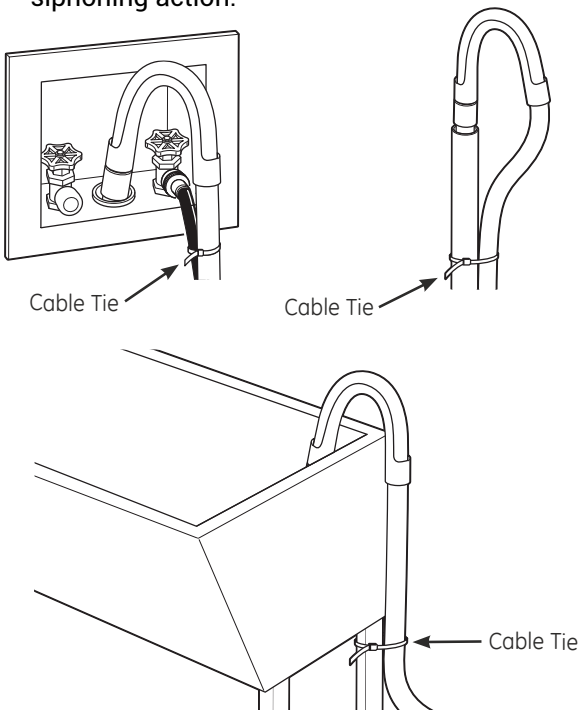
- Carefully move the washer to its final location. Gently rock the washer into position ensuring inlet hoses do not become kinked. It is important not to damage the rubber levelling legs when moving your washer to its final location. Damaged legs can increase washer vibration. It may be helpful to spray window cleaner on the floor to help move the washer into its final position. Note: To reduce vibration, ensure that all four rubber levelling legs are firmly touching the floor. Push and pull on the back right and then left of your washer.
- Note: Do not use the dispenser drawer or door to lift the washer.
- Note: If you are installing into a drain pan, you can use a 24inch long 2 x 4 to lever the washing machine into place.
- With the washer in its final position, place a level on top of the washing machine (if the washer is installed under a counter, the washer should not be able to rock). Adjust the front levelling legs up or down to ensure the washer is resting solid. Turn the lock nuts on each leg up towards the base of the washer and snug with a wrench.
- Note: Keep the leg extension at a minimum to prevent excessive vibration. The farther out the legs are extended the more the washer will vibrate.
- If the floor is not level or is damaged, you may have to extend the rear levelling legs.



Installation Instructions

Installing the Washer

- Attach the U-shaped hose guide to the end of the drain hose. Place the hose in a laundry tub or standpipe and secure it with the cable tie provided in the enclosed package.
- Note: Placing the drain hose too far down the drain pipe can cause siphoning action. No more than 7 inch (17.78cm) of the hose should be in the drain pipe. There must be an air gap around the drain hose. A snug fit can also cause a siphoning action.



- Plug the power cord into the grounded outlet.
- Note: Check to be sure the power is off at the circuit breaker/ fuse box before plugging the power cord into an outlet.

- Turn on the power at the circuit breaker/ fuse box.
- Read the rest of this owners manual. It contains valuable and helpful information that will save you time and money.

Before starting the washer, check to make sure:

- Main power is turned on.
- The washer is plugged in.
- The water faucets are turned on.
- The unit is level and all four levelling legs are firmly on the floor.
- The shipping support hardware is removed and saved.
- The drain hose is properly tied up.
- There are no leaks at the faucet, drain line, or washer.
- Run the washer through a complete cycle. Check for water leaks and proper operation.
- If your washer does not operate, please review the 'before you call for service' section before call for service.
- Place these instruction in a location near the near the washer for future reference.
- Plug the power cord into a grounded outlet.
- Note: Check to be sure the power is off at the circuit breaker/ fuse box before plugging the power cord into an outlet.

Before you call for service.



Trouble shooting tips.

Save time and money! Review the charts on the following pages and you may not need to call for service.

| Problem | Possible Cause | What to do. |
|--|--|--|
| Problem <i>Not draining</i> <i>Not spinning</i> <i>Not agitating</i> | Possible Cause <i>Load is out of balance</i> <i>Pump clogged</i> <i>Drain hose is kinked or improperly connected</i> <i>Household drain may be clogged</i> <i>Drain hose siphoning; drain hose pushed too far down the drain</i> | What To Do <ul style="list-style-type: none"> • Redistribute clothes and run drain & spin or rinse & spin. • Increase load size if washing small load containing heavy and light items. • See page 15 on how to clean the Pump Filter. • Straighten drain hose and make sure washer is not sitting on it. • Check household plumbing. You may need to call a plumber. • Ensure there is an air gap between hose and drain. |
| Leaking water | <i>Door gasket is damaged</i> <i>Door gasket not damaged</i> <i>Check back left of washer for water</i> <i>Fill hoses or drain hose is improperly connected</i> <i>Household drain may be clogged</i> <i>Dispenser clogged</i> <i>Incorrect use of detergent</i> | <ul style="list-style-type: none"> • Check to see if gasket is seated and not torn. Objects left in pockets may cause damage to the washer (nails, screws, pens, pencils). • Water may drip from the door when the door is opened. This is a normal operation. • Carefully wipe off rubber door seal. Sometimes dirt or clothing is left in this seal and can cause a small leak. • If this area is wet, you have oversudsing condition. Use less detergent. • Make sure hose connections are tight at washer and faucets and make sure end of drain hose is correctly inserted in and secured to drain facility. • Check household plumbing. You may need to call a plumber. • Powder soap may cause clogs inside the dispenser and cause water to leak out the front of the dispenser. Remove drawer and clean both drawer and inside of dispenser box. Please refer to Cleaning the Washer section. • Use HE and correct amount of detergent. |
| Clothes too wet | <i>Dispenser box crack</i> <i>Load is out of balance</i> <i>Pump clogged</i> <i>Overloading</i> <i>Drain hose is kinked or improperly connected</i> <i>Household drain may be clogged</i> <i>Drain hose siphoning; drain hose pushed too far down the drain</i> | <ul style="list-style-type: none"> • If new installation, check for crack on inside of dispenser box. • Redistribute clothes and run drain & spin or rinse & spin. • Increase load size if washing small load containing heavy and light items. • The machine will slow the spin speed down to 410 rpm if it has a hard time balancing the load. This speed is normal. • See page 15 on how to clean the Pump Filter. • The dry weight of the load should be less than 18 kg. • Straighten drain hose and make sure washer is not sitting on it. • Check household plumbing. You may need to call a plumber. • Ensure there is an air gap between hose and drain. |

| |
|---------------------------|
| Safety Instructions |
| Operating Instructions |
| Installation Instructions |
| Troubleshooting Tips |
| Consumer Support |

Before you call for service.

| <i>Problem</i> | <i>Possible Cause</i> | <i>What To Do</i> |
|---|---|--|
| <i>Incomplete cycle or timer not advancing</i> | <i>Automatic load redistribution</i> | <ul style="list-style-type: none"> • Timer adds 3 minutes to cycle for each rebalance. 11 or 15 rebalances may be done. This is normal operation. Do nothing; the machine will finish the wash cycle. |
| | <i>Pump clogged</i> | <ul style="list-style-type: none"> • See page 15 on how to clean the Pump Filter. |
| | <i>Drain hose is kinked or improperly connected</i> | <ul style="list-style-type: none"> • Straighten drain hose and make sure washer is not sitting on it. |
| | <i>Household drain may be clogged</i> | <ul style="list-style-type: none"> • Check household plumbing. You may need to call a plumber. |
| | <i>Drain hose siphoning; drain hose pushed too far down the drain</i> | <ul style="list-style-type: none"> • Ensure there is an air gap between hose and drain. |
| <i>Loud or unusual noise; vibration or shaking</i> | <i>Cabinet moving</i> | <ul style="list-style-type: none"> • Washer is designed to move 1/4" to reduce forces transmitted to the floor. This movement is normal. |
| | <i>All rubber leveling legs are not firmly touching the floor</i> | <ul style="list-style-type: none"> • Push and pull on the back right and then back left of your washer to check if it is level. If the washer is uneven, adjust the rubber leveling legs so they are all firmly touching the floor and locked in place. Your installer should correct this problem. |
| | <i>Unbalanced load</i> | <ul style="list-style-type: none"> • Open door and manually redistribute load. To check machine, run rinse and spin with no load. If normal, unbalance was caused by load. |
| | <i>Pump clogged</i> | <ul style="list-style-type: none"> • See page 15 on how to clean the Pump Filter. |
| <i>No power/washer not working or dead</i> | <i>Washer is unplugged</i> | <ul style="list-style-type: none"> • Make sure cord is plugged securely into a working outlet. |
| | <i>Water supply is turned off</i> | <ul style="list-style-type: none"> • Turn cold faucet fully on. |
| | <i>Circuit breaker/fuse is tripped/blown</i> | <ul style="list-style-type: none"> • Check house circuit breakers/fuses. Replace fuses or reset breaker. Washer should have separate outlet. |
| | <i>Automatic self system checks</i> | <ul style="list-style-type: none"> • First time the washer is plugged in, automatic checks occur. It may take up to 20 seconds before you can use your washer. This is normal operation. |
| <i>Snags, holes, tears, rips or excessive wear</i> | <i>Overloaded</i> | <ul style="list-style-type: none"> • The dry weight of the load should be less than 18 kg. |
| | <i>Pens, pencils, nails, screws or other objects left in pockets</i> | <ul style="list-style-type: none"> • Remove loose items from pockets. |
| | <i>Pins, snaps, hooks, sharp buttons, belt buckles, zippers and sharp objects left in pockets</i> | <ul style="list-style-type: none"> • Fasten snaps, hooks, buttons and zippers. |
| <i>Control time wrong or changes</i> | <i>This is normal</i> | <ul style="list-style-type: none"> • During spin the washer may need to rebalance the load sometimes to reduce vibrations. When this happens, the estimated time is increased causing time left to increase or jump. |
| <i>Not enough water</i> | <i>This is normal</i> | <ul style="list-style-type: none"> • Horizontal washers do not require the tub to fill with water like top-load washers. |
| <i>Washer pauses or has to be restarted, or washer door is locked and will not open</i> | <i>Pump clogged</i> | <ul style="list-style-type: none"> • See page 15 on how to clean the Pump Filter. |
| <i>Door unlocks or press Start and machine doesn't operate</i> | <i>This is normal</i> | <ul style="list-style-type: none"> • Front-load washers start up differently than top-load washers, and it takes 30 seconds to check the system. The door will lock and unlock. |
| | <i>Incorrect operation</i> | <ul style="list-style-type: none"> • Simply open and close the door firmly; then press Start. |

| Problem | Possible Cause | What To Do |
|---|--|--|
| Water does not enter washer or enters slowly | Automatic self system checks | <ul style="list-style-type: none"> After Start is pressed, the washer does several system checks. Water will flow 60 seconds after Start is pressed. |
| | Water supply is turned off | <ul style="list-style-type: none"> Turn on cold faucet fully. |
| | Water valve screens are stopped up | <ul style="list-style-type: none"> Turn off the water source and remove the water connection hoses from the upper back of the washer. Use a brush or toothpick to clean the screens in the machine. Reconnect the hose and turn the water back on. |
| Wrinkling | Improper sorting | <ul style="list-style-type: none"> Avoid mixing heavy items (like work clothes) with light items (like blouses). |
| | Overloading | <ul style="list-style-type: none"> Load your washer so clothes have enough room to move freely. |
| | Incorrect wash cycle | <ul style="list-style-type: none"> Match cycle selection to the type of fabric you are washing (especially for easy care loads). |
| | Repeated washing in water that is too hot | <ul style="list-style-type: none"> Wash in warm or cold water. |
| Grayed or yellowed clothes | Not enough detergent | <ul style="list-style-type: none"> Use correct amount of detergent. |
| | Not using HE (high-efficiency) detergent | <ul style="list-style-type: none"> Use HE detergent. |
| | Hard water | <ul style="list-style-type: none"> Use hottest water safe for fabric. Use a water conditioner like Calgon brand or install a water softener. |
| | Detergent is not dissolving | <ul style="list-style-type: none"> Try a liquid detergent. |
| | Dye transfer | <ul style="list-style-type: none"> Sort clothes by color. If fabric label states wash separately, unstable dyes may be indicated. |
| Colored spots | Incorrect use of fabric softener | <ul style="list-style-type: none"> Check fabric softener package for instructions and follow directions for using dispenser. |
| | Dye transfer | <ul style="list-style-type: none"> Sort whites or lightly colored items from dark colors. Promptly remove wash load from washer. |
| Slight variation in metallic color | This is normal | <ul style="list-style-type: none"> Due to the metallic properties of paint used for this unique product, slight variations of color may occur due to viewing angles and lighting conditions. |
| Bad odor inside your washer | Washer unused for a long time, not using recommended quality of HE detergent or used too much detergent | <ul style="list-style-type: none"> Run a Basket Clean cycle. In the case of strong odor, you may need to run the Basket Clean cycle more than once. Use only the amount of detergent recommended on the detergent container. Use only HE (high-efficiency) detergent. Always remove wet items from the washer promptly after machine stops running. Leave the door slightly open for the water to air dry. Close supervision is necessary if this appliance is used by or near children. Do not allow children to play on, with or inside this or any other appliance. |

Before you call for service.

| <i>Problem</i> | <i>Possible Cause</i> | <i>What To Do</i> |
|--|--|--|
| <i>Detergent leak</i> | <i>Incorrect placement of detergent insert</i> | <ul style="list-style-type: none"> • Make sure detergent insert is properly located and fully seated. Never put detergent above max line. |
| <i>Improper dispensing of softener or bleach</i> | <i>Dispenser clogged</i> | <ul style="list-style-type: none"> • Monthly clean the dispenser drawer to remove buildup of chemicals. |
| | <i>Softener or bleach is filled above the max line</i> | <ul style="list-style-type: none"> • Make sure to have the correct amount of softener or bleach. |
| | <i>Softener or bleach cap issue</i> | <ul style="list-style-type: none"> • Make sure softener and bleach cap for dispenser are seated or they will not work. |

MFD180-G1325/E0258ED-EU(A2)

| Parameter | |
|------------------------------------|----------------|
| DIMENSION(W*D*H) | 686*853*1010mm |
| WEIGHT | 102kg |
| NORMAL LOAD | 18.0kg |
| RATED VOLTAGE | 220-240V~ |
| RATED FREQUENCY | 50Hz |
| RATED POWER | 2100W |
| MOTOR INPUT POWER FOR WASH | 300W |
| MOTOR INPUT POWER FOR SPIN | 800W |
| PUMP INPUT POWER | 30W |
| HEATING INPUT POWER | 1800W |
| STANDARD PROGRAM WATER CONSUMPTION | 100L |
| WASH WATER CONSUMPTION | 40L |
| WATER PRESSURE | 0.1-0.8MPa |
| GRADE OF WATERPROOF | IPX4 |
| MADE IN CHINA | |

Brand: Caterwash

Model: CK8518

Rated capacity: 18.0kg

Energy efficiency class: A++

EU Ecolabel: N/A

Energy consumption 465kwh per year, based on 220 standard washing cycles for cotton ECO at 60 °C/40 °C at full and partial load, and the consumption of the low-power modes. Actual energy consumption will depend on how the appliance is used.

Water consumption 17600 litres per year, based on 220 standard washing cycles for cotton ECO at 60 °C/40 °C at full and partial load. Actual water consumption will depend on how the appliance is used.

Spin-drying efficiency class C on a scale from G (least efficient) to A (most efficient)

Maximum spin speed: 1300rpm

Consumption values (1300rpm) :

| Standard Programme | Load | Energy consumption | Water consumption | Remaining Moisture content | Programme duration |
|--------------------|------|--------------------|-------------------|----------------------------|--------------------|
| Cotton ECO 60 °C | 18kg | 2.2Kwh | 83L | 55% | 287 |
| Cotton ECO 60 °C | 9kg | 2.2Kwh | 65L | 58% | 305 |
| Cotton ECO 40 °C | 9kg | 2.0kwh | 65L | 58% | 295 |

Notes:

1. Programme setting for testing in accordance with applicable standard EN60456-2011.
2. When using the test programmes, wash the specified load using the maximum spin speed.
3. The actual parameters will depend on how the appliance is used, and maybe different with the parameters in above mentioned table.

Off mode power consumption: 0.5W

Left-on mode power consumption: 1W

The household washing machine is equipped with power management system.

The duration of the left-on mode time is less than 1 minutes.

Airborne acoustical noise (washing) : 59

Airborne acoustical noise (spinning) : 79

Notes: The airborne acoustical noise emissions during washing/spinning for the standard 60 °C cotton ECO programme at full load.

Product Specifications

| Parameter | |
|-------------------------|-----------------|
| Washing Capacity | 18.0kg |
| Dimension(W*D*H) | 686*853*1010mm |
| Weight | 102kg |
| Rated Power | 2100W |
| Power Supply | 220-240V~, 50Hz |
| MAX. Current | 10A |
| Standard Water Pressure | 0.1MPa~0.8MPa |